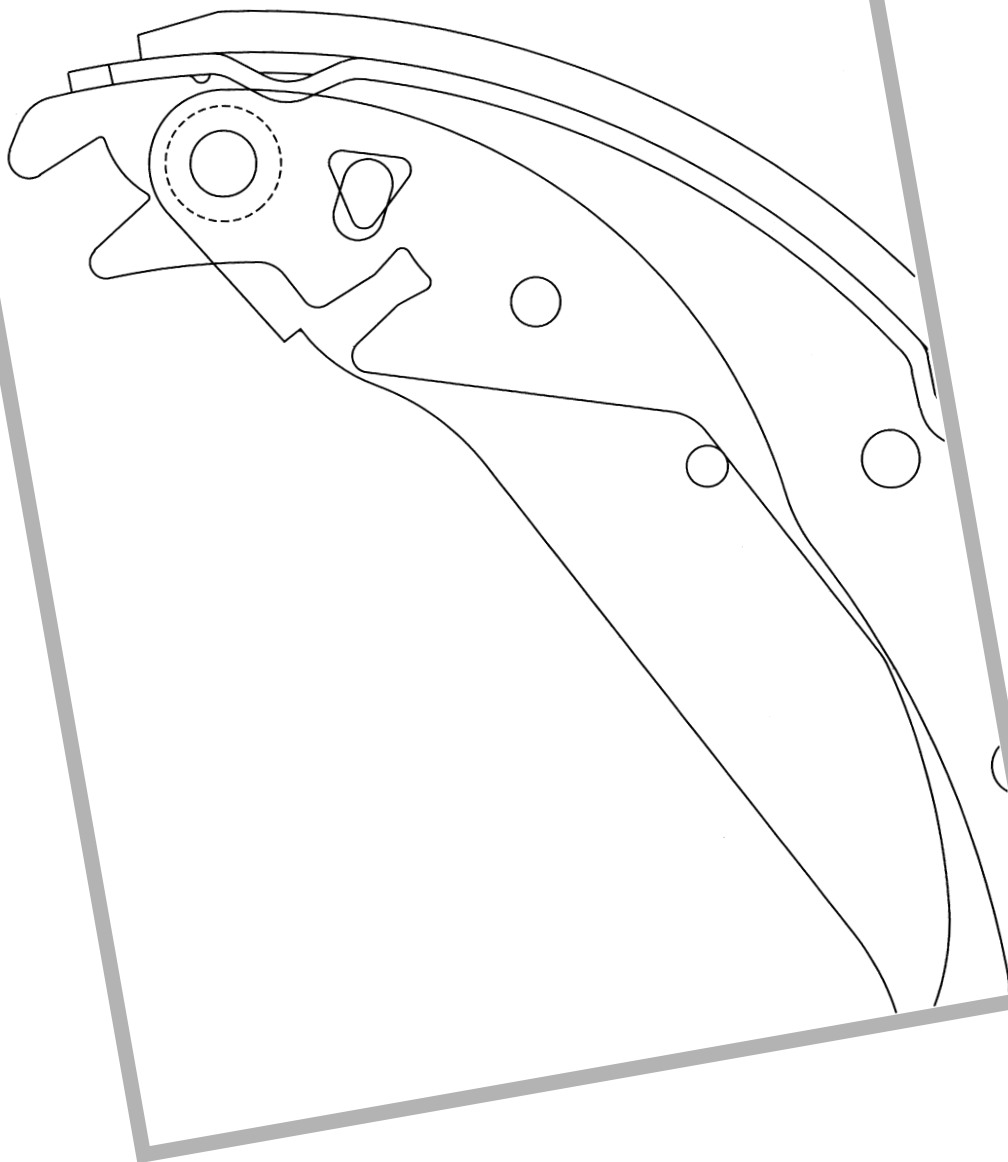


BRAKE ASSEMBLY & BRAKE SHOE ASSEMBLY



BRAKE ASSEMBLY

ITEM	GYW(KN)	BRAKE SYSTEM	BRAKE DIA.(mm)		BRAKE TYPE	APPLICATION	CUSTOMER
SERVICE BRAKE	100	A O H	320	FR RR	2L DUO-2L	Medium Truck	HYUNDAI
	↓	A O H	370	FR RR	2L DUO-2L	Medium Truck Medium Bus	HYUNDAI
	120	A O H	410	FR RR	L / T L / T	Cargo-Heavy duty(P/L:8-16Ton) Dump-Heavy duty(P/L:8-16Ton)	HYUNDAI
	160						DAEWOO
	↓	F / AIR	410	FR RR	L / T L / T	Cargo&Dump(P/L:Over 16Ton) P/c & Tractor Bus-Heavy duty	HYUNDAI DAEWOO
	280	F / AIR	419	-	L / T	9 Ton Axle Pusher Axle	HYUNDAI DAEWOO
↓	390						
PARKING BRAKE	45	CENTER	190		DUO-SERVO	Light Truck	HYUNDAI / KIA
	100		203		DUO-SERVO	Medium Truck	HYUNDAI / KIA
	160		305		DUO-SERVO	Heavy Duty Truck(AOH)	HYUNDAI

BRAKE SHOE ASSEMBLY

SP NO.	MAKER	MODEL	PO
SA010	DAEWOO	ROYALE,PRINCE	Rr
SA011	HYUNDAI	MIGHTY 2.5T HIGH-DECK	Fr/Rr
SA012	HYUNDAI	MIGHTY 2.5T LOW-DECK(PRI)	Rr
SA013	HYUNDAI	MIGHTY 2.5T LOW-DECK(SEC)	Rr
SA014	HYUNDAI	HD 3.5T	Fr/Rr
SA015	KIA	CERES, ROCSTAR	Fr/Rr
SA016	KIA	TRADE3500, JUMBO TITAN	Fr
SA017	KIA	TRADE3500, JUMBO TITAN	Rr
SA018	KIA	ROCSTA R2, SPORTAGE(NEW)	Rr
SA019	KIA	CERES(NEW)	Rr
SA020	KIA	CARNIVAL(NEW), TRAJET XG	Rr
SA028	HYUNDAI	PONY EXCEL	Rr
SA043	HYUNDAI	PORTER 1.25T	Rr
SA044	KIA	BESTA, PREGIO	Rr
	ASIA	TOPIC	Rr
SA045	KIA	W/BONGO	Rr
SA046	HYUNDAI	EXCEL	Rr
SA047	HYUNDAI	ACCENT	Rr
SA048	HYUNDAI	SONATA	Rr
SA049	KIA	PRIDE	Rr
SA050	DAEWOO	TICO	Rr
SA051	KIA	SEPHIA, CONCORD(TAXI)	Rr
	ASIA	TOWNER	Rr

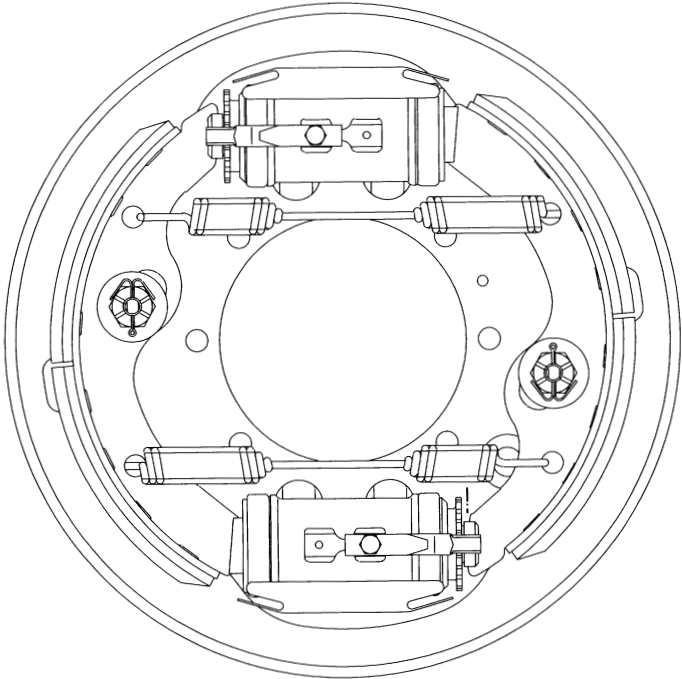
SP NO.	MAKER	MODEL	PO
SA052	KIA	CONCORD(PASSENGER)	Rr
SA053	KIA	NEW SEPHIA, SHUMA	Rr
SA055-OLD	DAEWOO	LEMANS(NP1338)	Rr
SA055-NEW	DAEWOO	ESPERO(NP1441), CIERO, LANOS	Rr
SA059	DAEWOO	DAMAS, LABO	Rr
SA062	HYUNDAI	ELANTRA, AVANTE	Rr
SA067	KIA	AVELLA	Rr
SA070	KIA	SPORTAGE	Rr
SA072-GR	HYUNDAI	GRACE, GALLOPER, ISTANA, MUSSO	Rr
SA072-PO	HYUNDAI	N/PORTER	Rr
SA074	HYUNDAI	SONATA II, SANTAMO	Rr
SA079	KIA	CREDOS	Rr
SA086	DAEWOO	MATIZ	Rr
SA095	SAMSUNG	SV110(SM1T)	Rr
SA096	HYUNDAI	ATOZ	Rr
SA099	HYUNDAI	STAREX, GALLOPER II	Rr
SA100	HYUNDAI	LIBERO	Rr
SA101	DAEWOO	NUBIRA	Rr
SA102	DAEWOO	LEGANZA	Rr
SA103	DAEWOO	REZZO	Rr
SA111	HYUNDAI	EF SONATA, LAVITA	Rr
SA112	KIA	CARNIVAL	Rr
SA119	DAEWOO	MAGNUS	Rr
SA120	SSANGYUNG	CHAIRMAN	PARKING
SA121	HYUNDAI	2.5 TON	PARKING
SA122	HYUNDAI	5.0 TON	PARKING
SA123	HYUNDAI	8.0 TON	PARKING
SA124	DAEWOO	MAGNUS	PARKING
SA125	KIA	CARNIVAL II	Rr
SA126	KIA	CARNIVAL II(NEW)	Rr
SA127	KIA	PREGIO(NEW)	Rr
SA128	HYUNDAI	VERNA(FACE-LIFT)	Rr
SA129	DAEWOO	KALOS	Rr
SA130	HYUNDAI	STAREX 03MY	Rr
SA131	SAMSUNG	SM3	Rr
SA132	HYUNDAI	TB(Click) - 7"(Domestic only)	Rr
SA133	HYUNDAI	TB(Click) - 8"(Export only)	Rr
SA134	KIA	RIO(NEW)	Rr
SA135	HYUNDAI	PORTER II(LOW DECK)	Rr
	KIA	BONGO III	
SA136	KIA	CARNIVAL II 04MY	Rr

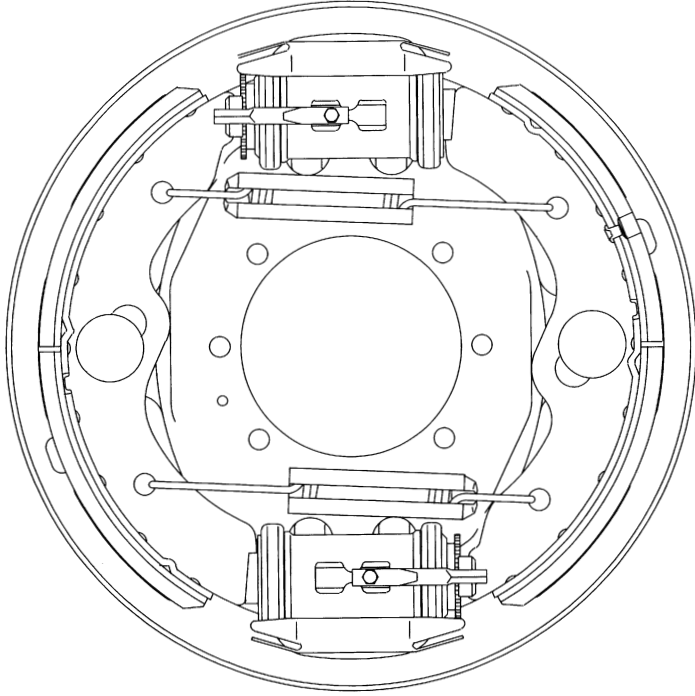
SP NO.	MAKER	MODEL	PO
SA137	KIA	RIO(EXPORT ONLY)	Rr
SA200	VOLKSWAGEN	SANTANA 2000	Rr
SA201	HONDA	HONDA FIT	Rr
SA202	NISSAN	NISSAN SUNNY RR	Rr
SA203	CHANGAN QICHE	CHANG AN ZHI XING	Rr

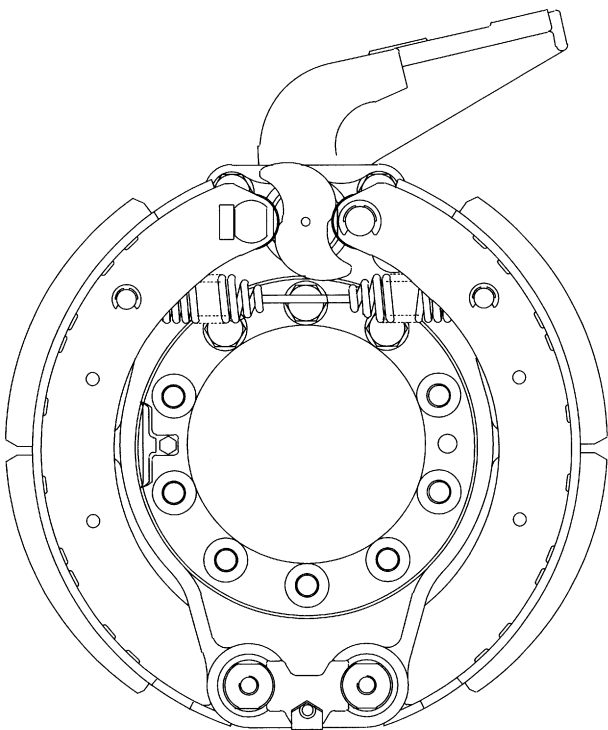
BRAKE SHOE ASSEMBLY-CAR MAKER

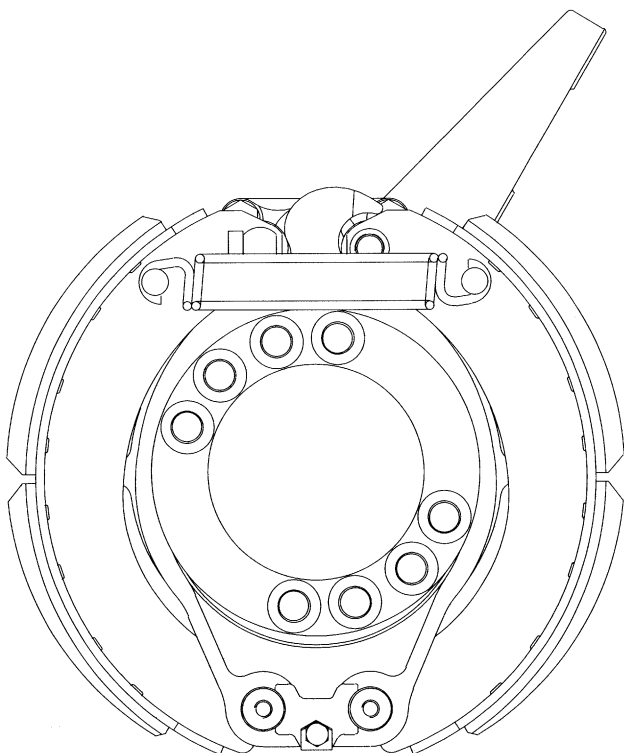
MAKER	SP NO.	MODEL	PO
DAEWOO	SA010	ROYALE, PRINCE	Rr
	SA050	TICO	Rr
	SA055-NEW	ESPERO(NP1441), CIERO, LANOS	Rr
	SA055-OLD	LEMANS(NP1338)	Rr
	SA059	DAMAS, LABO	Rr
	SA086	MATIZ	Rr
	SA101	NUBIRA	Rr
	SA102	LEGANZA	Rr
	SA103	REZZO	Rr
	SA119	MAGNUS	Rr
	SA124	MAGNUS	PARKING
	SA129	KALOS	Rr
HYUNDAI	SA011	MIGHTY 2.5T HIGH-DECK	Fr/Rr
	SA012	MIGHTY 2.5T LOW-DECK(PRI)	Rr
	SA013	MIGHTY 2.5T LOW-DECK(SEC)	Rr
	SA014	HD 3.5T	Fr/Rr
	SA028	PONY EXCEL	Rr
	SA042	VERNA(99 - ON)	Rr
	SA043	PORTER 1.25T	Rr
	SA046	EXCEL	Rr
	SA047	ACCENT	Rr
	SA048	SONATA	Rr
	SA062	ELANTRA, AVANTE	Rr
	SA072-GR	GRACE, GALLOPER, ISTANA, MUSSO	Rr
	SA072-PO	N/PORTER	Rr
	SA074	SONATA II, SANTAMO	Rr
	SA096	ATOZ	Rr
	SA099	STAREX, GALLOPER II	Rr
	SA100	LIBERO	Rr
	SA111	EF SONATA, LAVITA	Rr
	SA121	2.5 TON	PARKING
	SA122	5.0 TON	PARKING
	SA123	8.0 TON	PARKING
	SA128	VERNA(FACE-LIFT)	Rr
	SA130	STAREX 03MY	Rr
	SA132	TB(Click) - 7"(Domestic only)	Rr
	SA133	TB(Click) - 8"(Export only)	Rr
SA135	PORTER II(LOW DECK), BONGO III	Rr	

BRAKE ASSEMBLY

BRAKE DIA(mm)		APPLICATION	No. 1
320	FRT RR	Medium Truck	
SERVICE BRAKE			
ITEM			
BRAKE SYSTEM			
A O H			
BRAKE TYPE			
2L DUO-2L			
CUSTOMER			
HYUNDAI			
GVW(KN)			
100 ↓ 120			

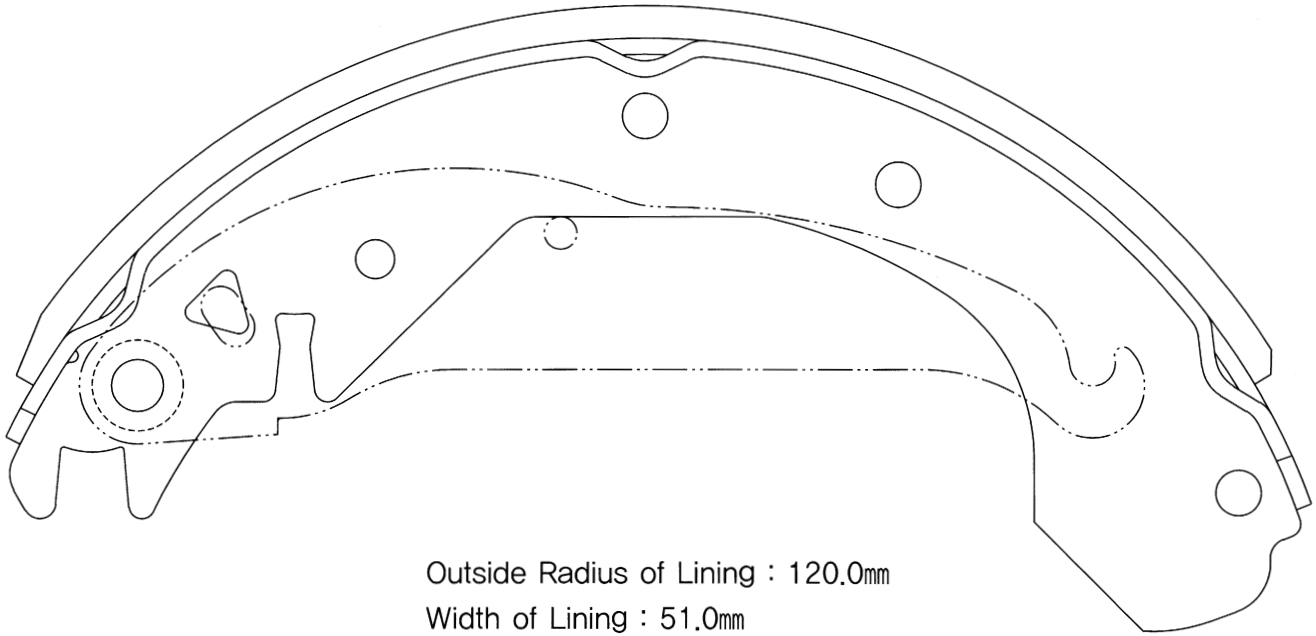
BRAKE DIA(mm)		APPLICATION	No. 2
370	FRT RR	Medium Truck Medium Bus	
SERVICE BRAKE			
ITEM			
BRAKE SYSTEM			
A O H			
BRAKE TYPE			
2L DUO-2L			
CUSTOMER			
HYUNDAI			
GVW(KN)			
100 ↓ 120			

BRAKE DIA(mm)		APPLICATION	No. 3
410	FRT RR	Cargo-Heavy duty(P/L : 8 - 16 Ton) Dump-Heavy duty(P/L : 8 - 16 Ton)	
SERVICE BRAKE			
ITEM			
BRAKE SYSTEM			
A O H			
BRAKE TYPE			
L / T L / T			
CUSTOMER			
HYUNDAI DAEWOO			
GVW(KN)			
100 ↓ 120			

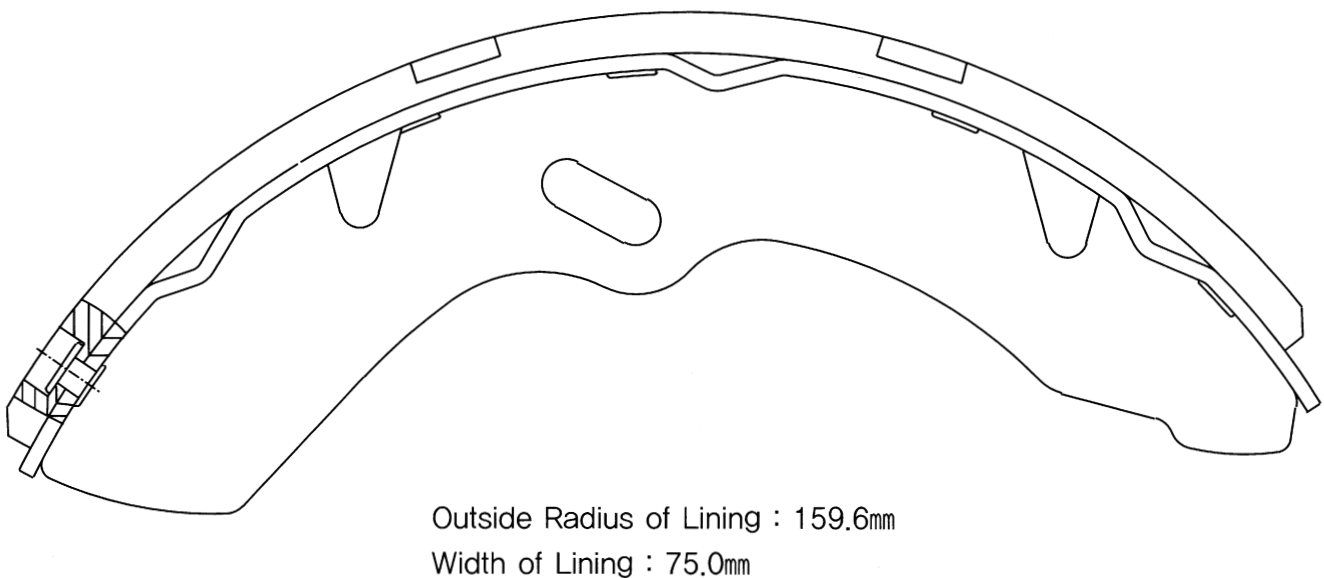
BRAKE DIA(mm)		APPLICATION	No. 4
419	-	9 Ton Axle Pusher Axle	
SERVICE BRAKE			
ITEM			
BRAKE SYSTEM			
F / AIR			
BRAKE TYPE			
L / T			
CUSTOMER			
HYUNDAI DAEWOO			
GVW(KN)			
280 ↓ 390			

BRAKE SHOE ASSEMBLY

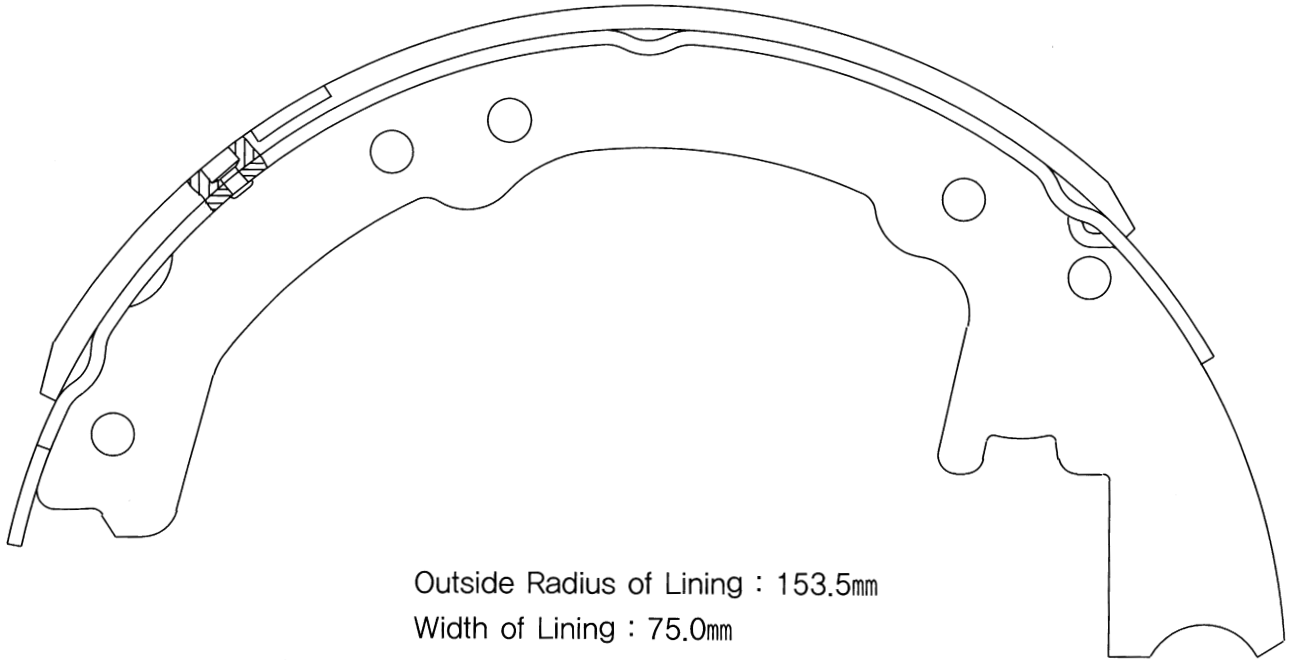
1	MAKER	DAEWOO	PO
SA 010	MODEL	ROYALE, PRINCE	RR



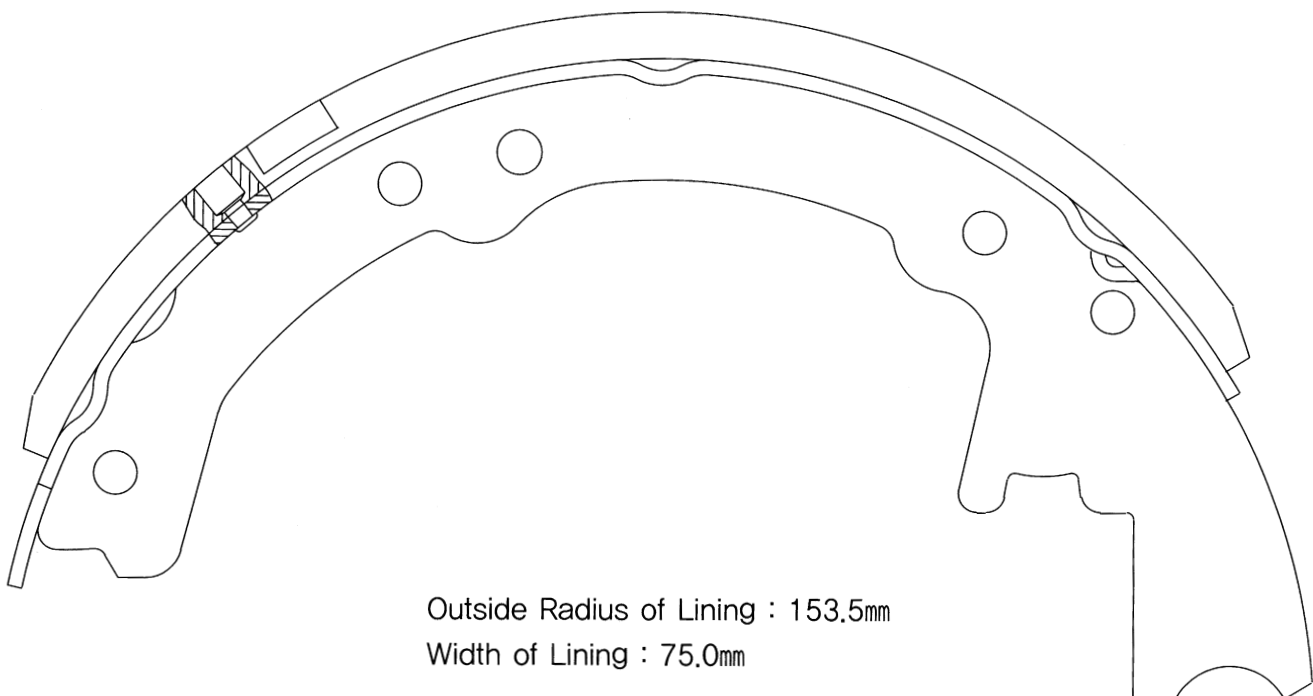
2	MAKER	HYUNDAI	PO
SA 011	MODEL	MIGHTY 2.5 Ton High-Deck	FR / RR



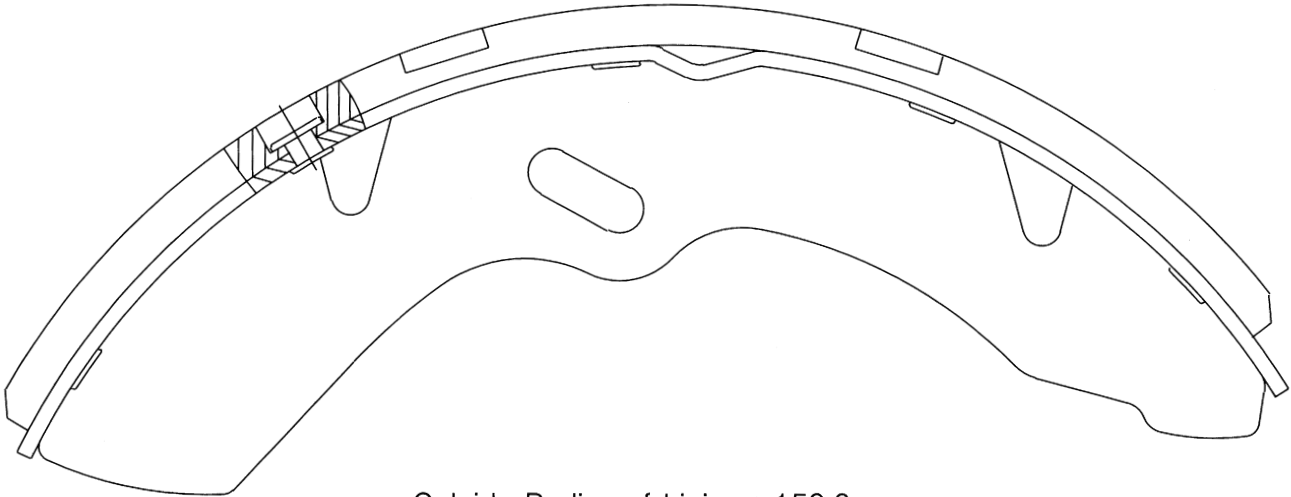
3	MAKER	HYUNDAI	PO
SA 012	MODEL	MIGHTY 2.5 Ton Low-Deck(PRI)	RR



4	MAKER	HYUNDAI	PO
SA 013	MODEL	MIGHTY 2.5 Ton Low-Deck(SEC)	RR

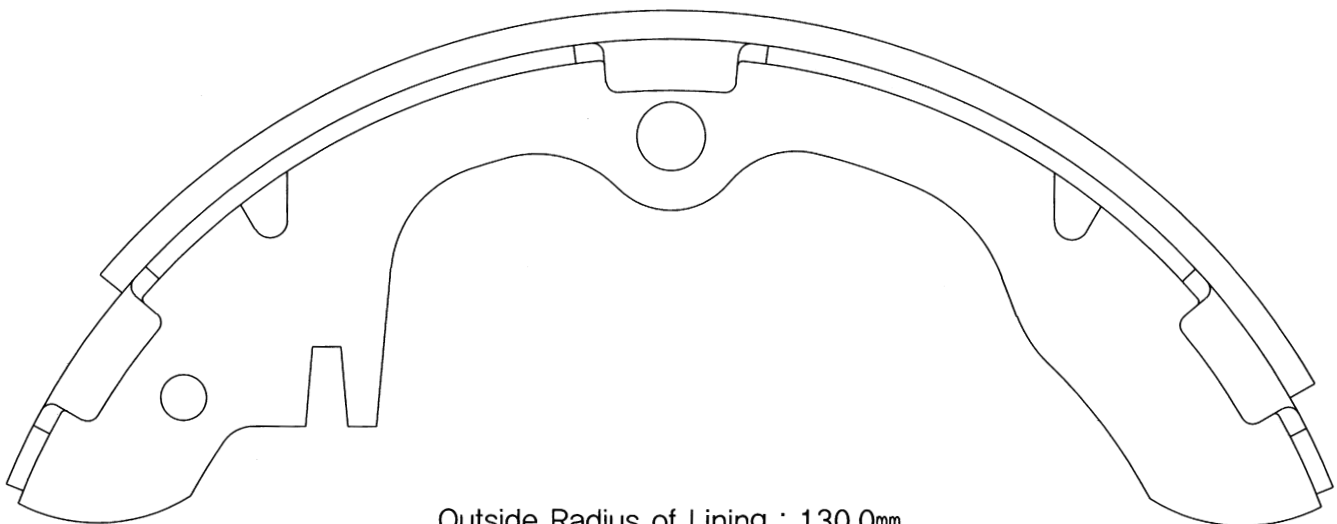


5	MAKER	HYUNDAI	PO
SA 014	MODEL	HD 3.5 Ton	FR / RR



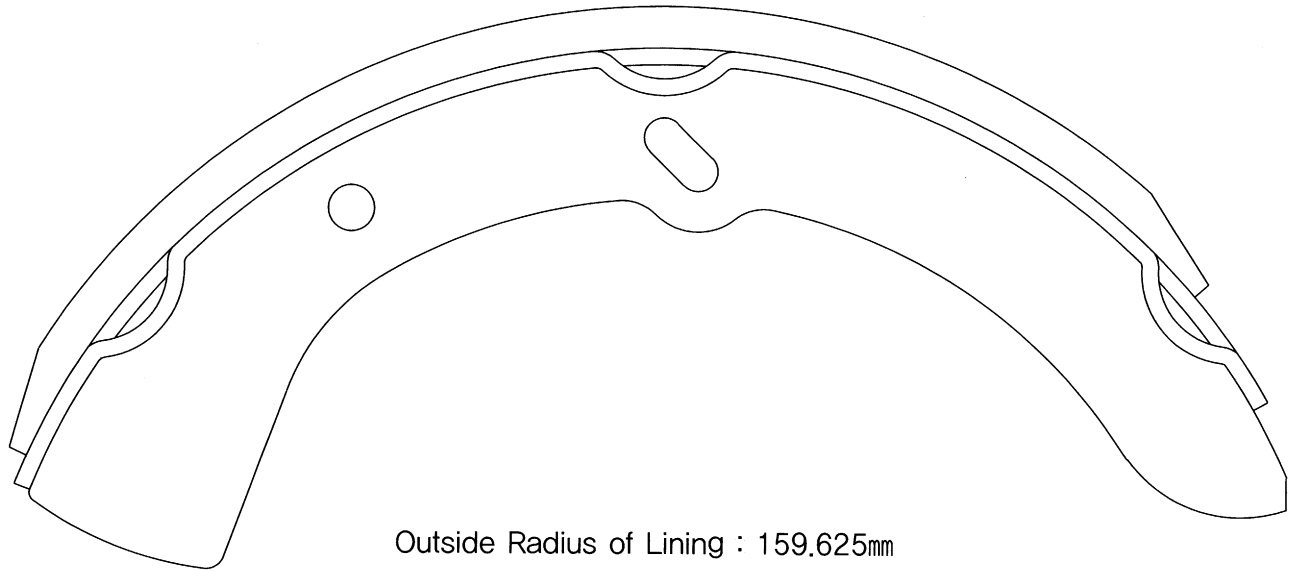
Outside Radius of Lining : 159.6mm
Width of Lining : 85.0mm

6	MAKER	KIA	ASIA	PO
SA 015	MODEL	CERES	ROCSTA	FR/RR



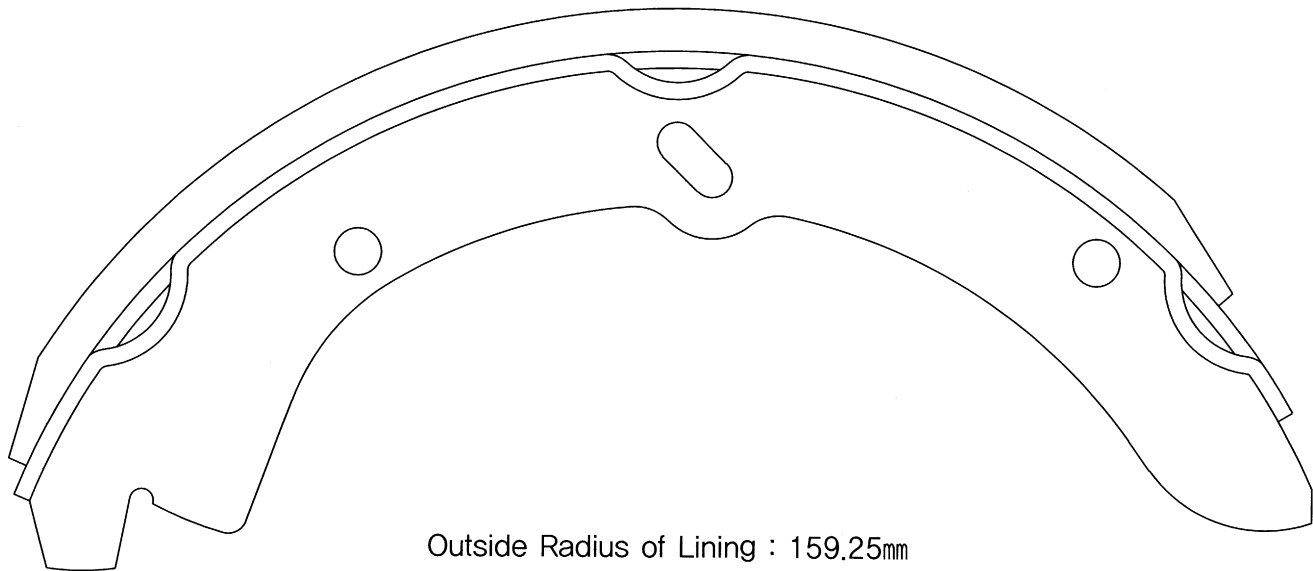
Outside Radius of Lining : 130.0mm
Width of Lining : 45.0mm

7	MAKER	KIA	PO
SA 016	MODEL	TRADE 3500 JUMBO TITAN	FR



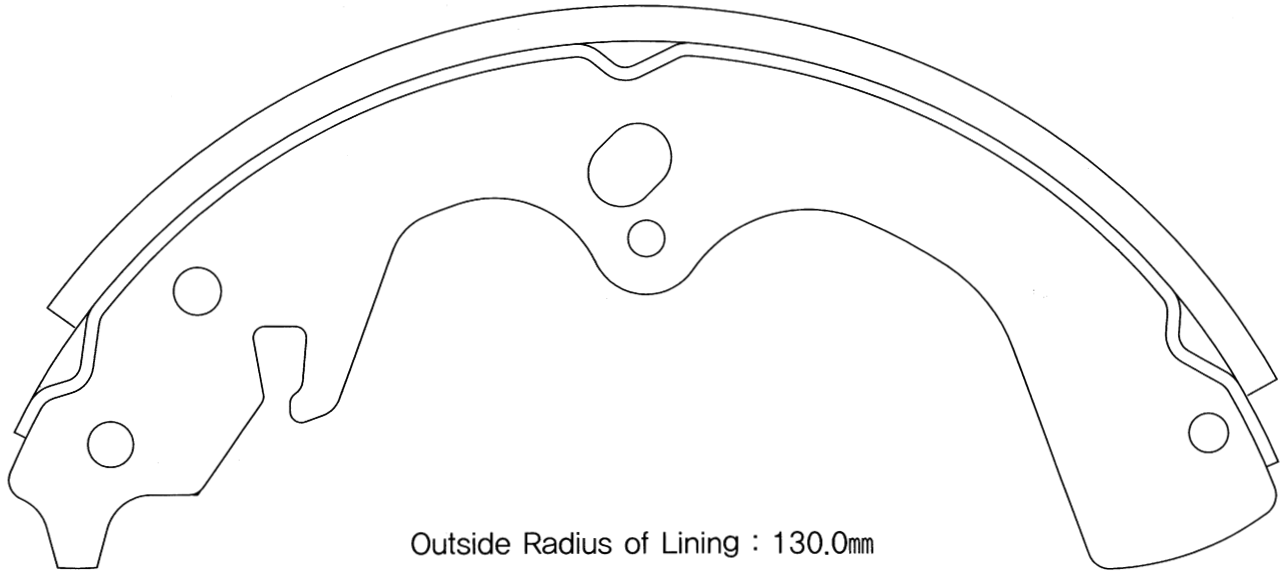
Outside Radius of Lining : 159.625mm
Width of Lining : 75.0mm

8	MAKER	KIA	PO
SA 017	MODEL	TRADE 3500, JUMBO TITAN	RR



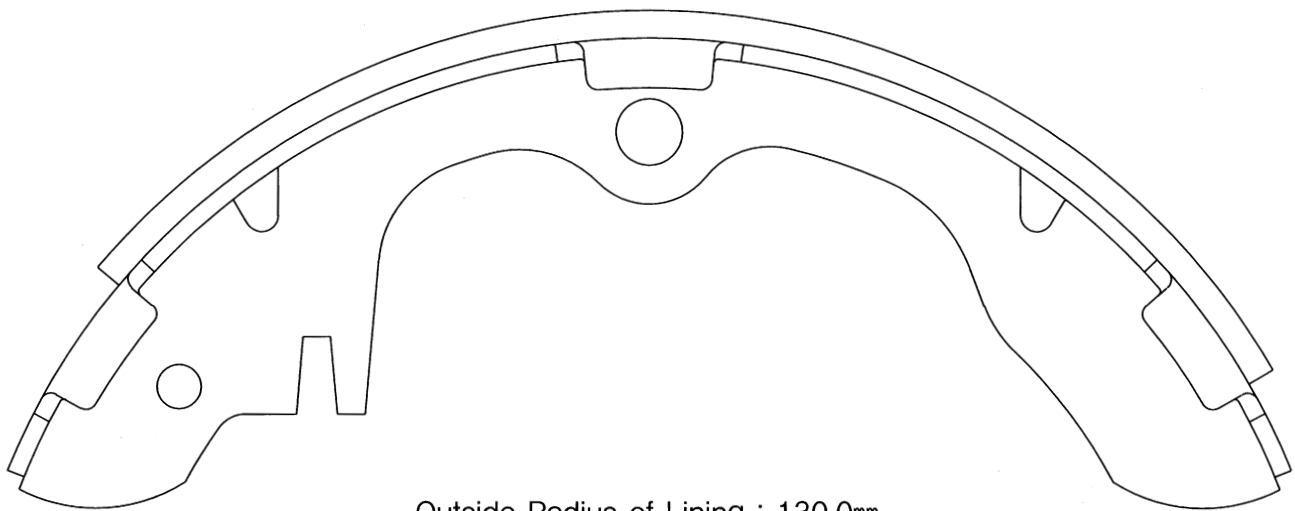
Outside Radius of Lining : 159.25mm
Width of Lining : 75.0mm

9	MAKER	KIA	ASIA	PO
SA 018	MODEL	SPORTAGE(NEW)	ROCSTA R2	RR



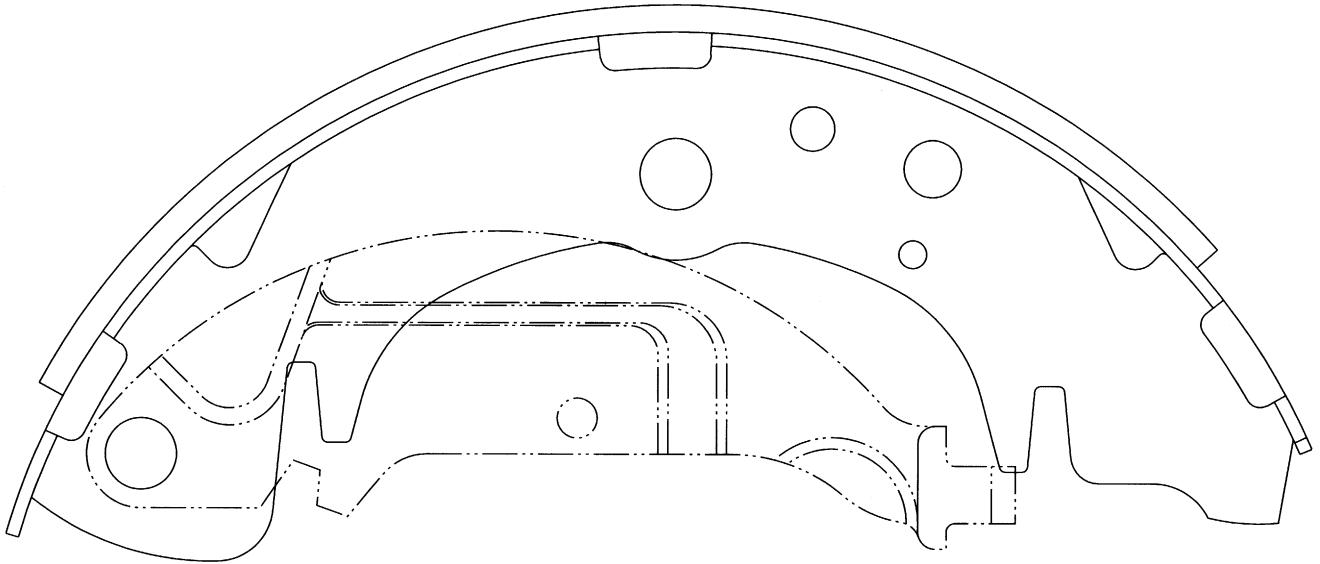
Outside Radius of Lining : 130.0mm
Width of Lining : 45.0mm

10	MAKER	KIA		PO
SA 019	MODEL	CERES(NEW)		RR



Outside Radius of Lining : 130.0mm
Width of Lining : 53.0mm

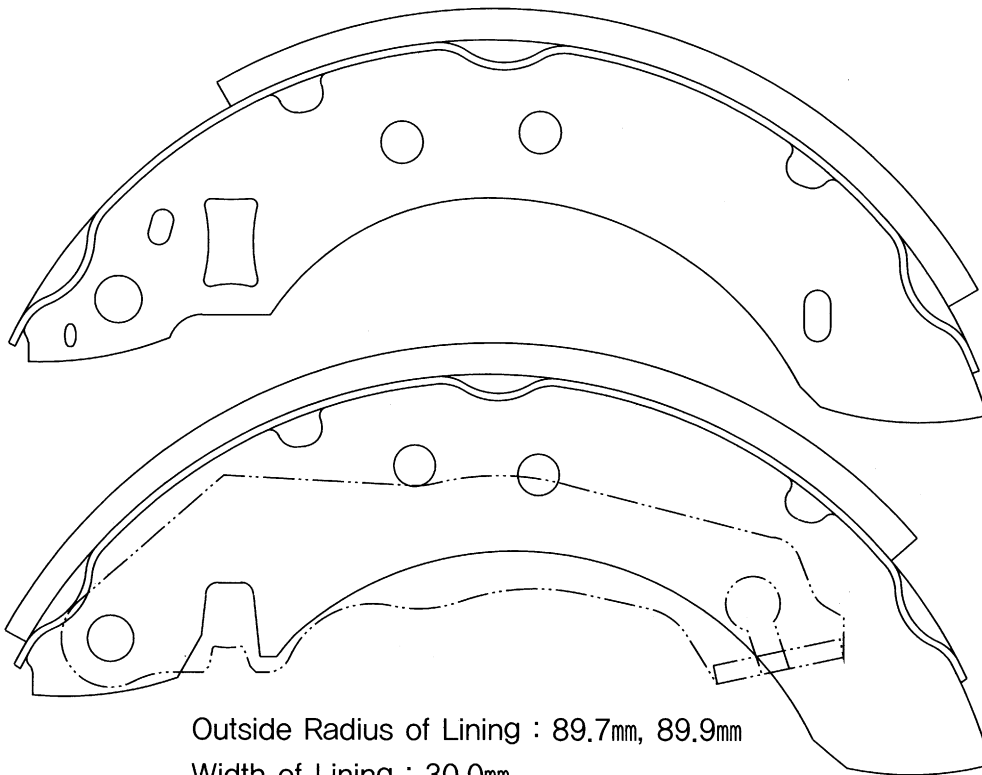
11	MAKER	KIA	HYUNDAI	PO
SA 020	MODEL	CARNIVAL(NEW)	TRAJET XG	RR



Outside Radius of Lining : 126.7mm

Width of Lining : 55.0mm

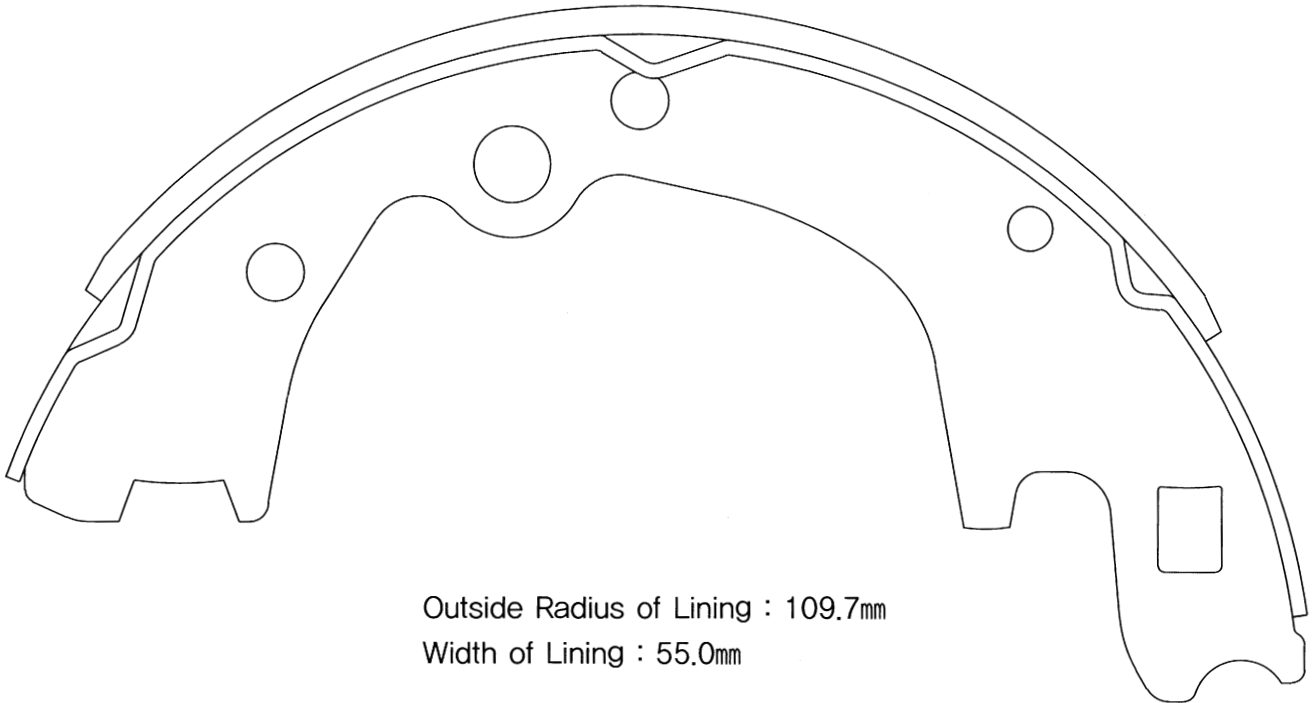
12	MAKER	HYUNDAI		PO
SA 028	MODEL	PONY EXCEL		RR



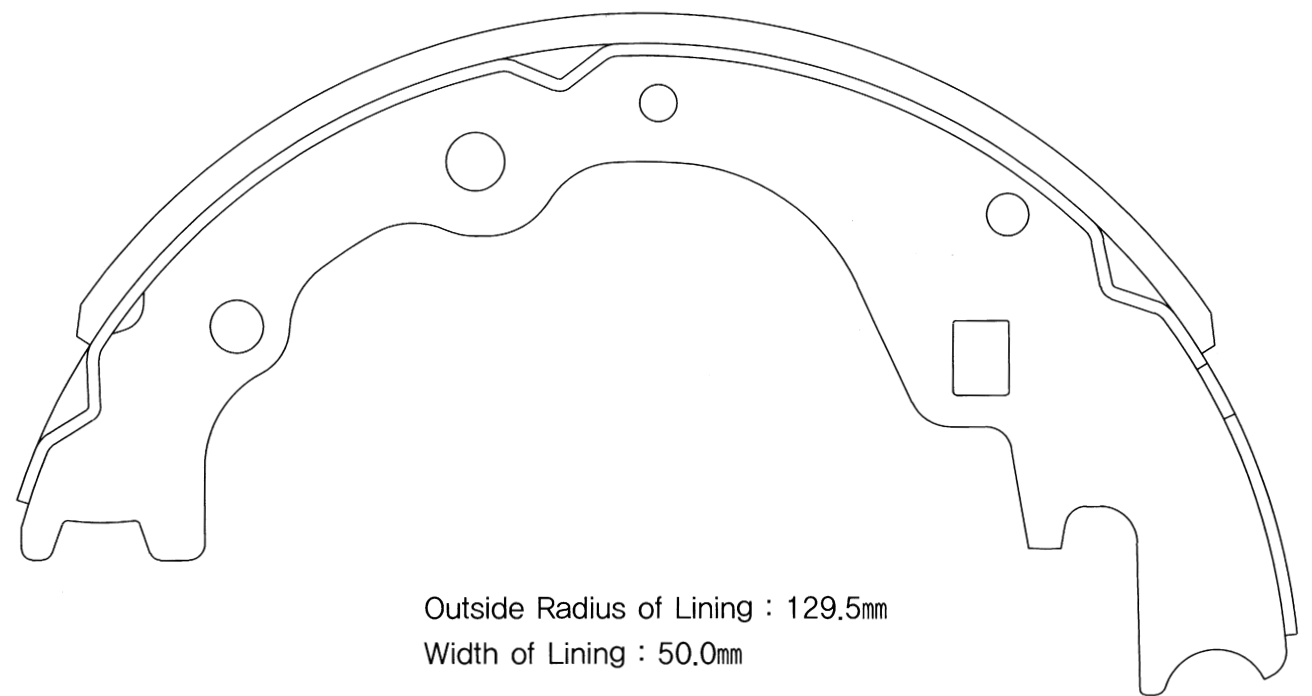
Outside Radius of Lining : 89.7mm, 89.9mm

Width of Lining : 30.0mm

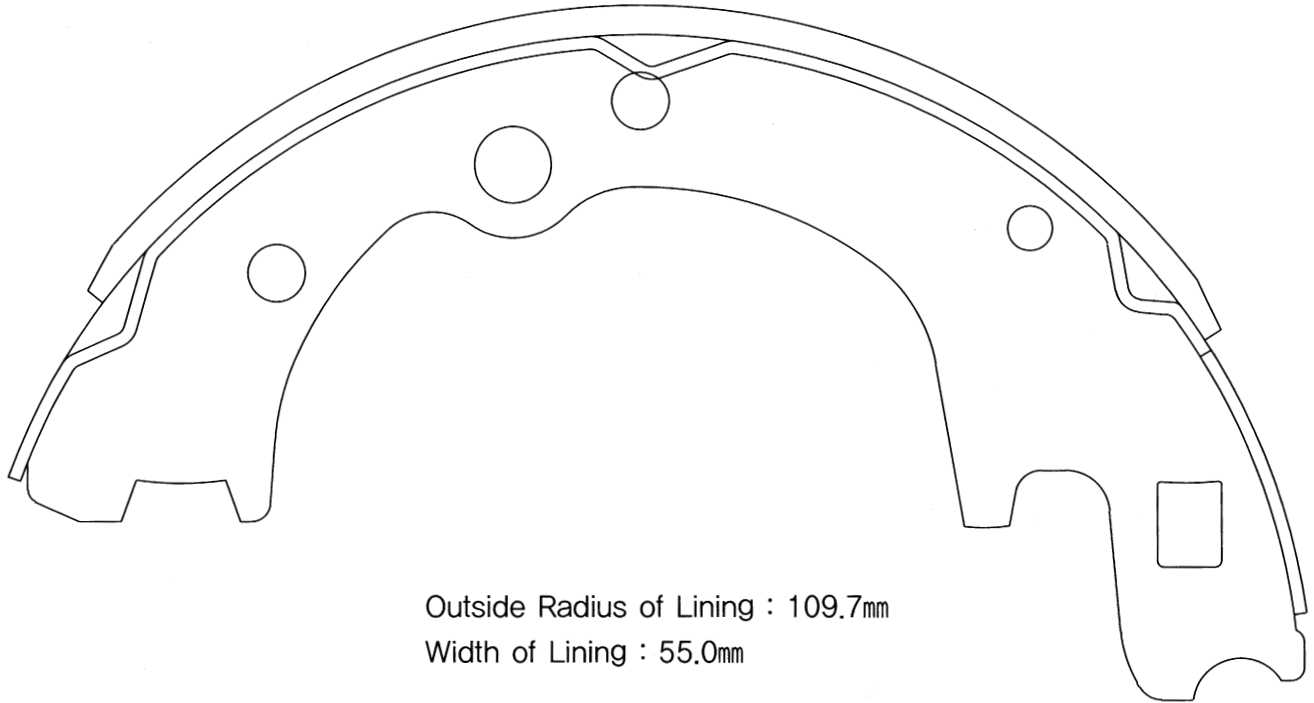
13	MAKER	HYUNDAI	PO
SA 043	MODEL	PORTER 1.25TON	RR



14	MAKER	KIA	ASIA	PO
SA 044	MODEL	BESTA, PREGIO	TOPIC	RR

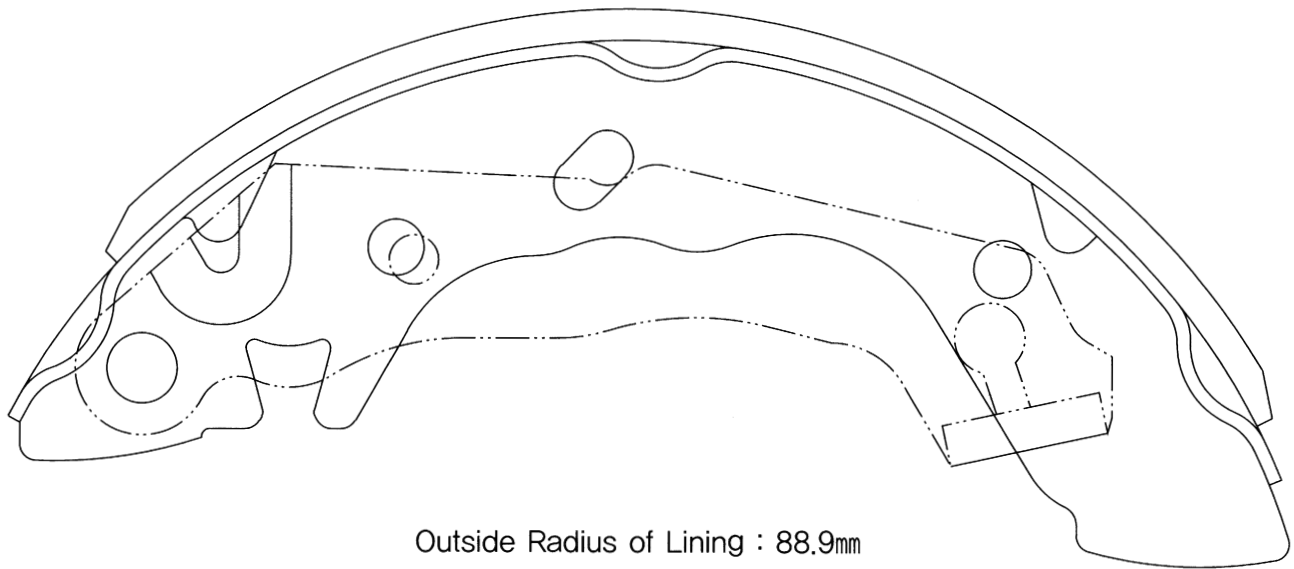


15	MAKER	KIA	PO
SA 045	MODEL	WIDE BONGO	RR



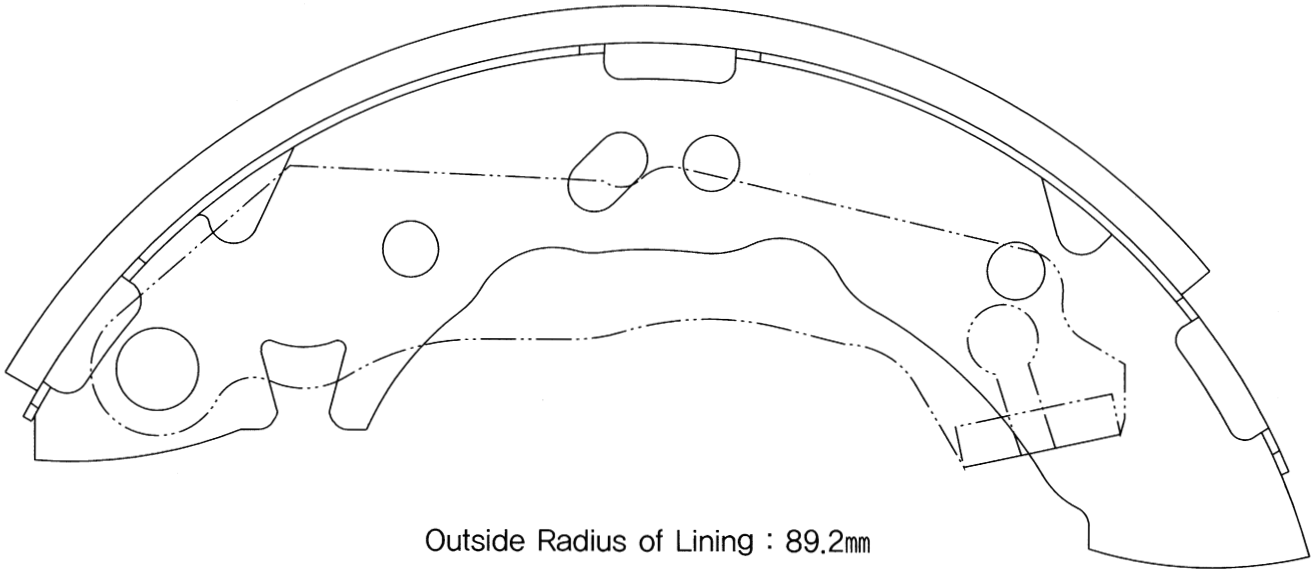
Outside Radius of Lining : 109.7mm
Width of Lining : 55.0mm

16	MAKER	HYUNDAI	PO
SA 046	MODEL	EXCEL SCOUPE, VERNA	RR

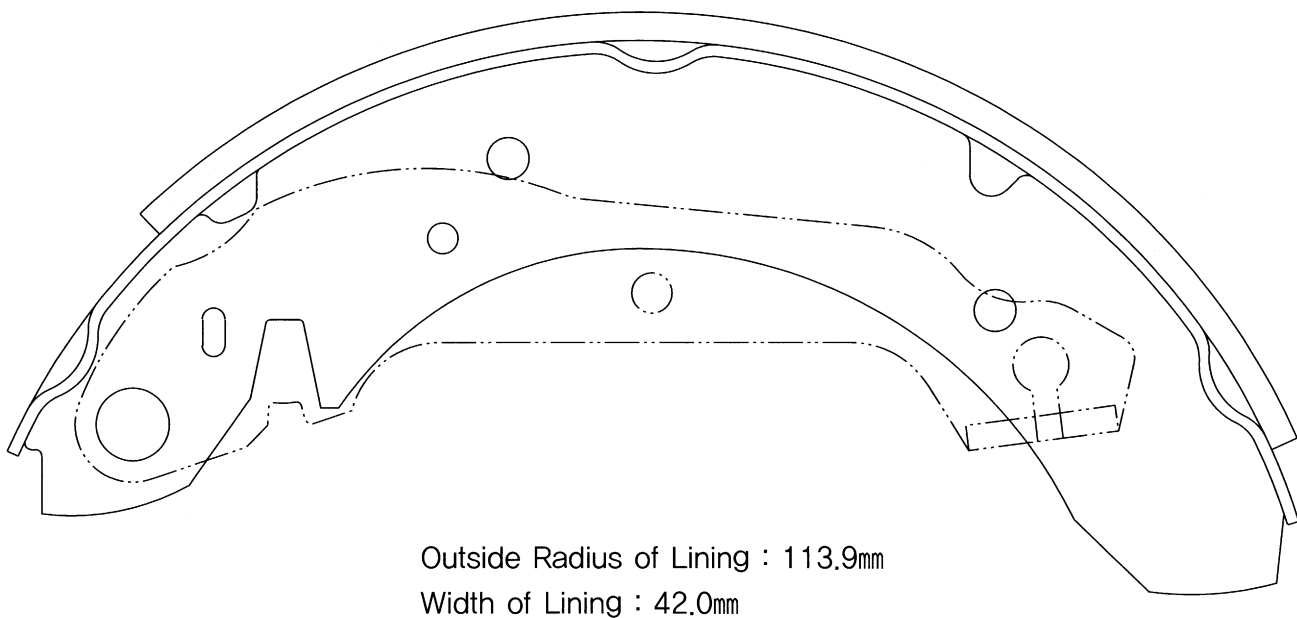


Outside Radius of Lining : 88.9mm
Width of Lining : 35.0mm

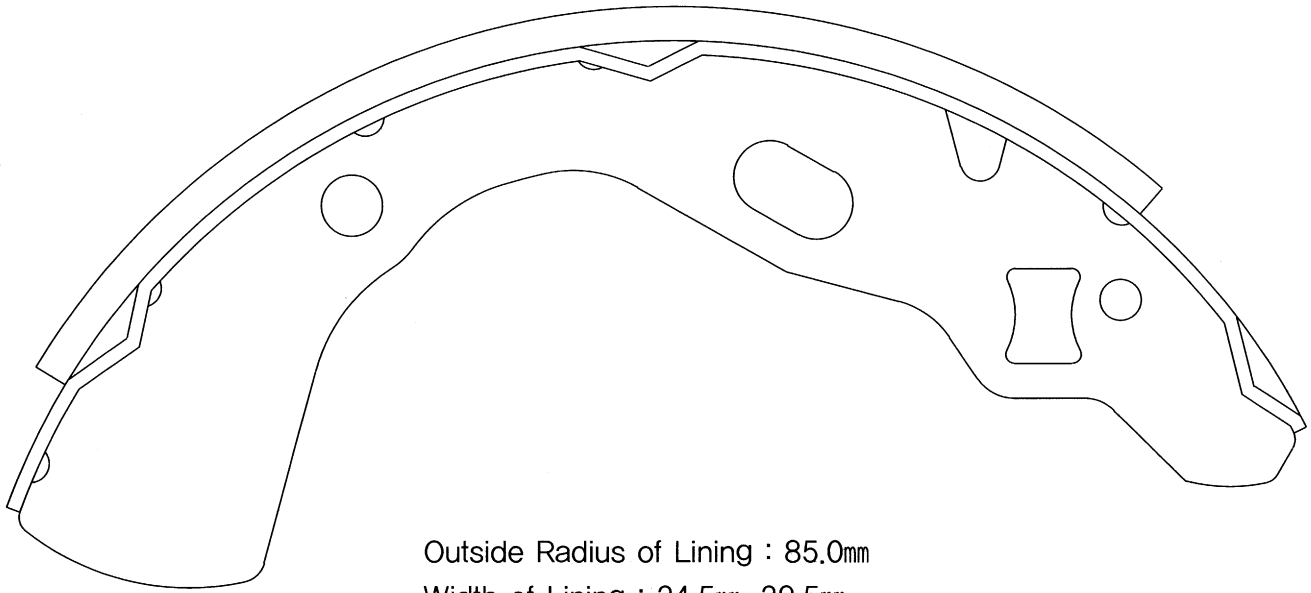
17	MAKER	<i>HYUNDAI</i>	PO
SA 047	MODEL	<i>ACCENT</i>	RR



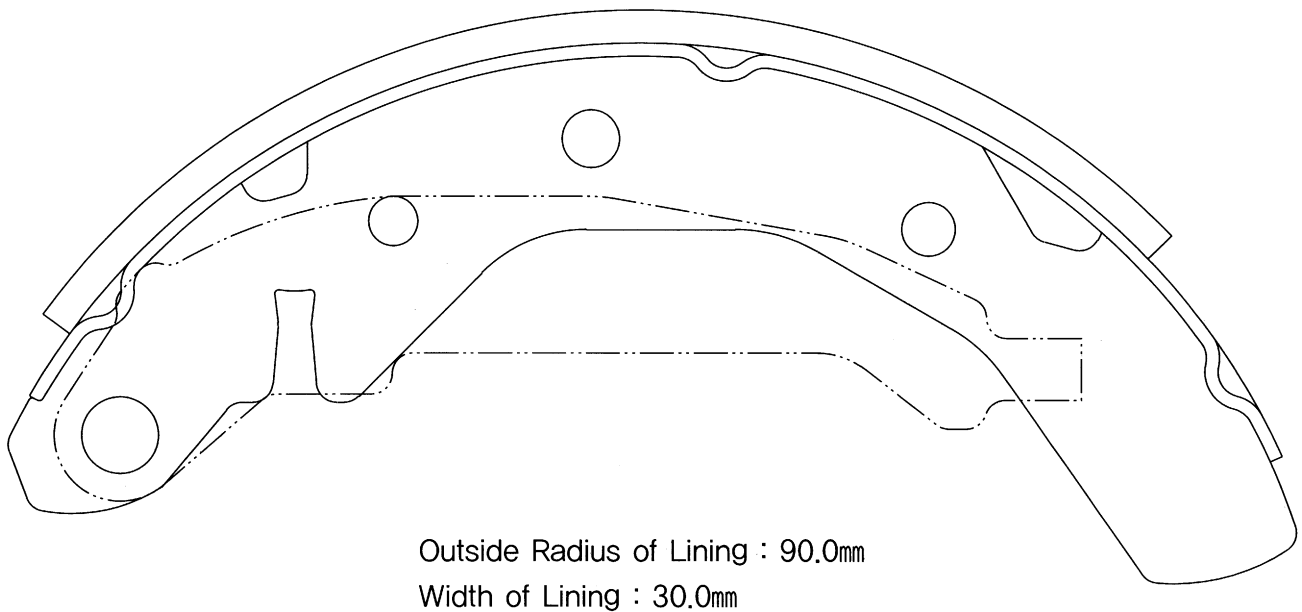
18	MAKER	<i>HYUNDAI</i>	PO
SA 048	MODEL	<i>SONATA, SONATA II</i>	RR



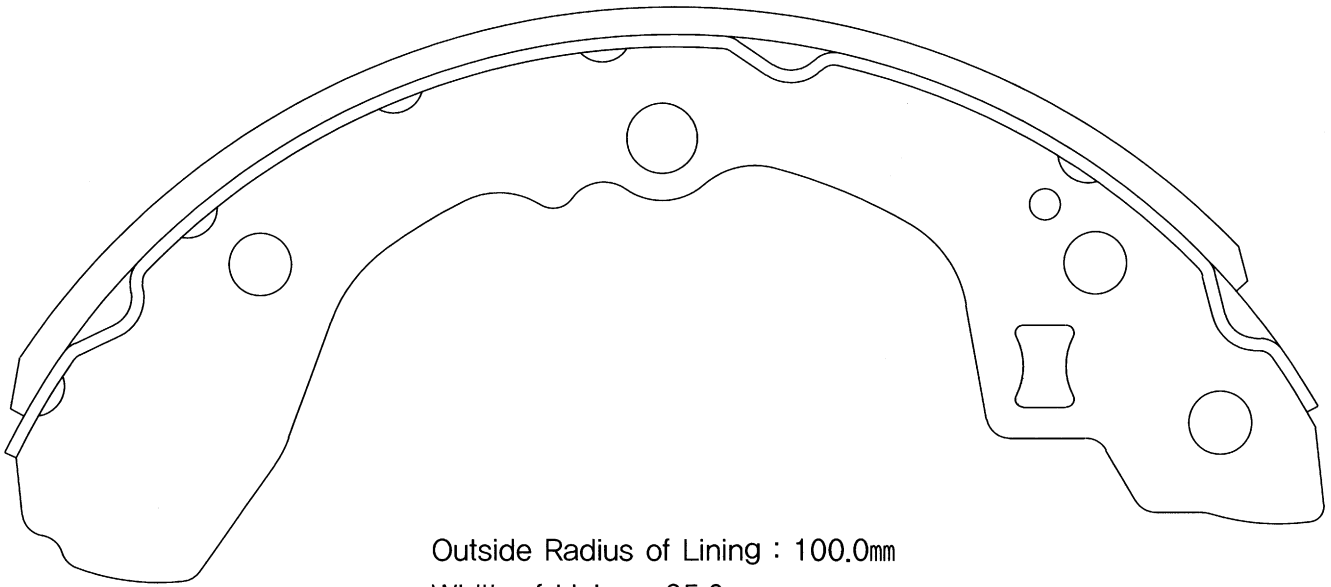
19	MAKER	<i>KIA</i>	PO
SA 049	MODEL	<i>PRIDE(FESTIVA)</i>	RR



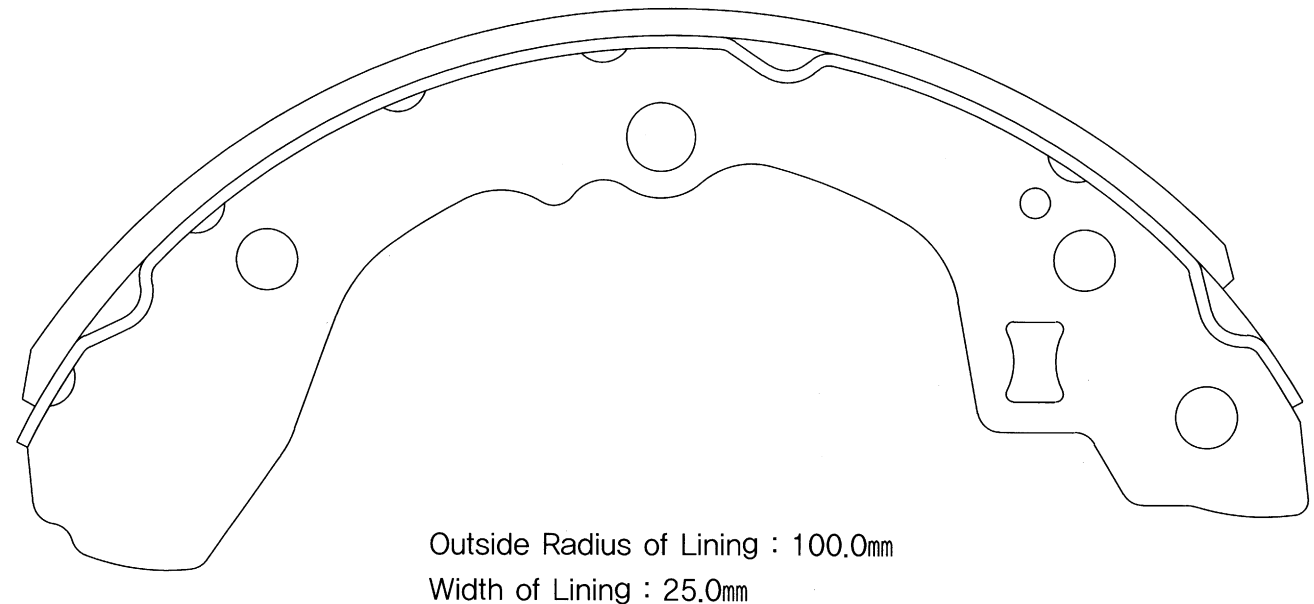
20	MAKER	<i>DAEWOO</i>	PO
SA 050	MODEL	<i>TICO</i>	RR



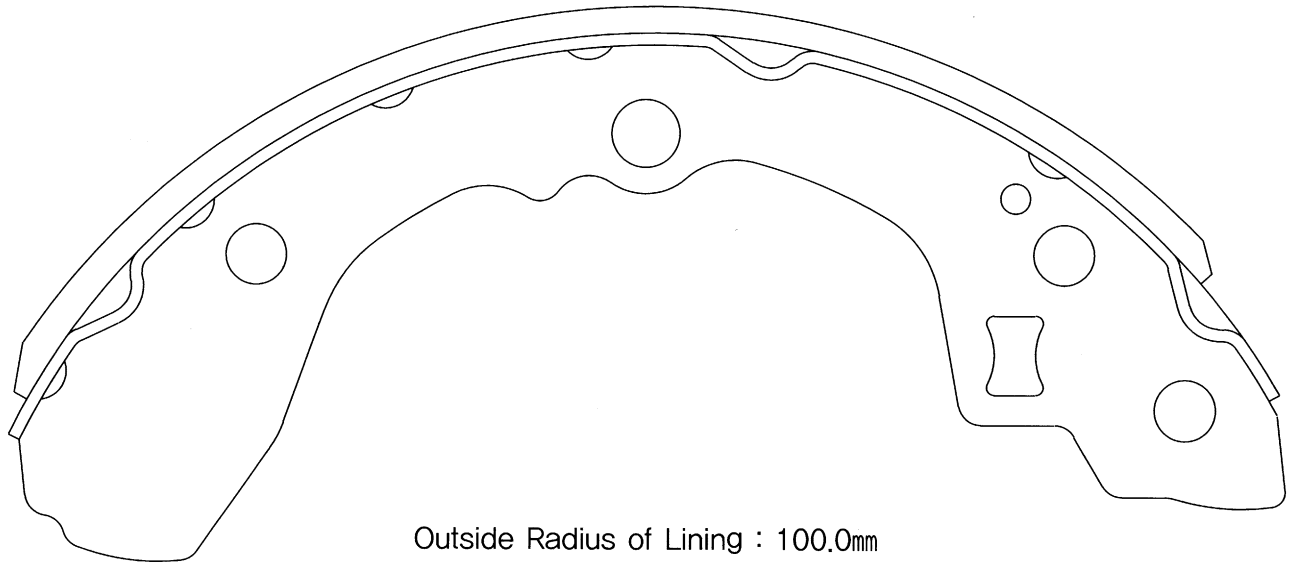
21	MAKER	KIA	ASIA	PO
SA 051	MODEL	SEPHIA, CONCORD(TAXI)	TOWNER	RR



22	MAKER	KIA		PO
SA 052	MODEL	CONCORD(PASSENGER)		RR

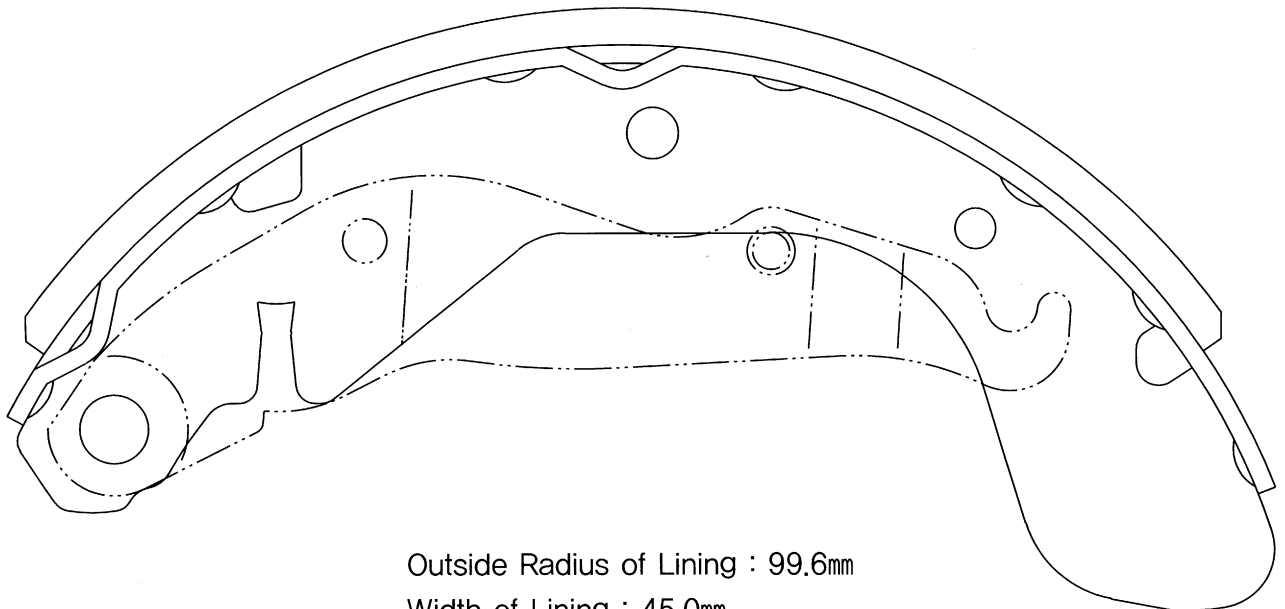


23	MAKER	KIA	PO
SA 053	MODEL	SEPHIA(NEW), SHUMA	RR



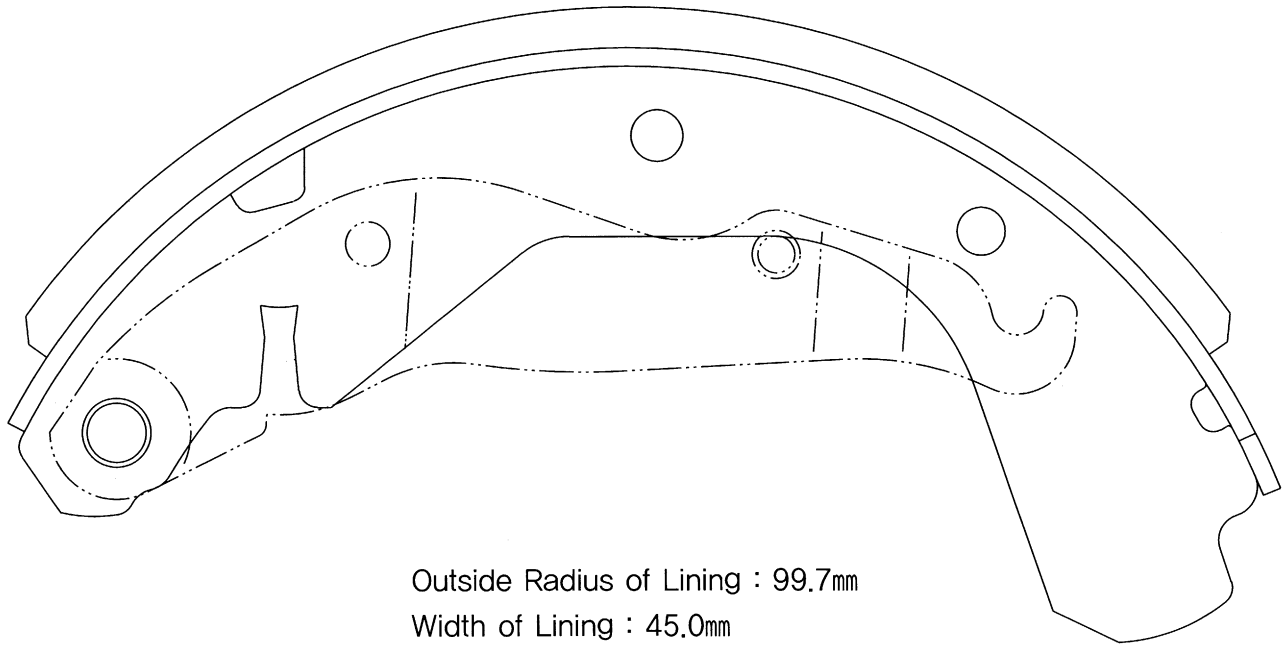
Outside Radius of Lining : 100.0mm
Width of Lining : 35.0mm

24	MAKER	DAEWOO	PO
SA 055 – NEW	MODEL	ESPERO(NP1441), CIELO, LANOS, NEXIA, NUBIRA	RR

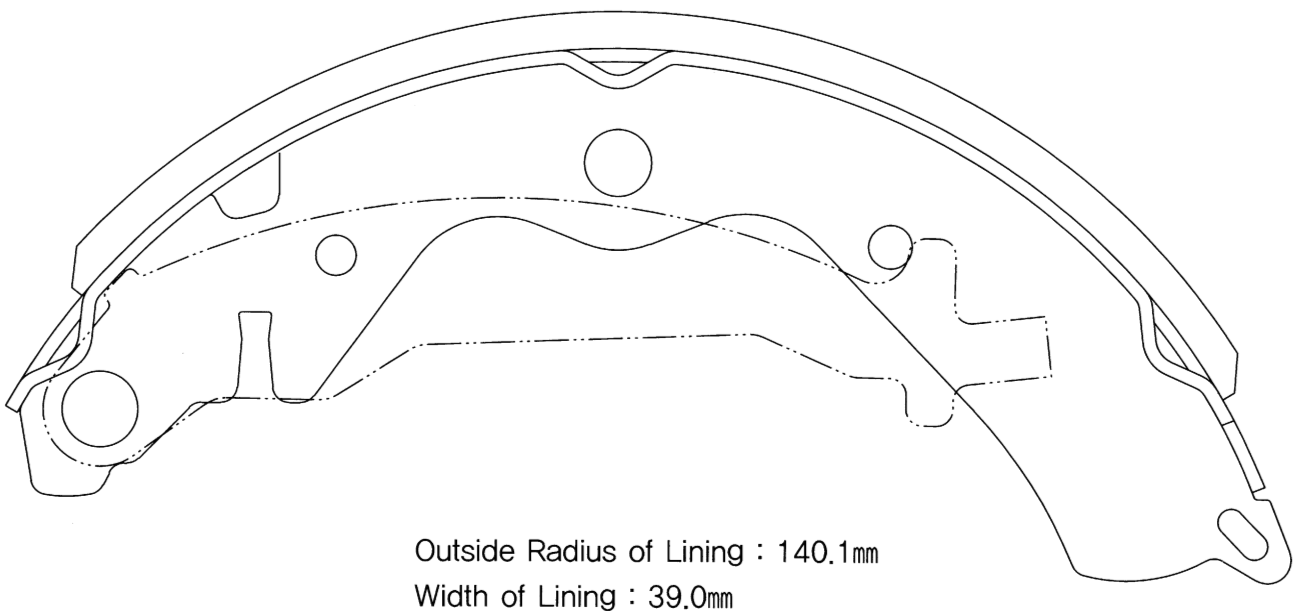


Outside Radius of Lining : 99.6mm
Width of Lining : 45.0mm

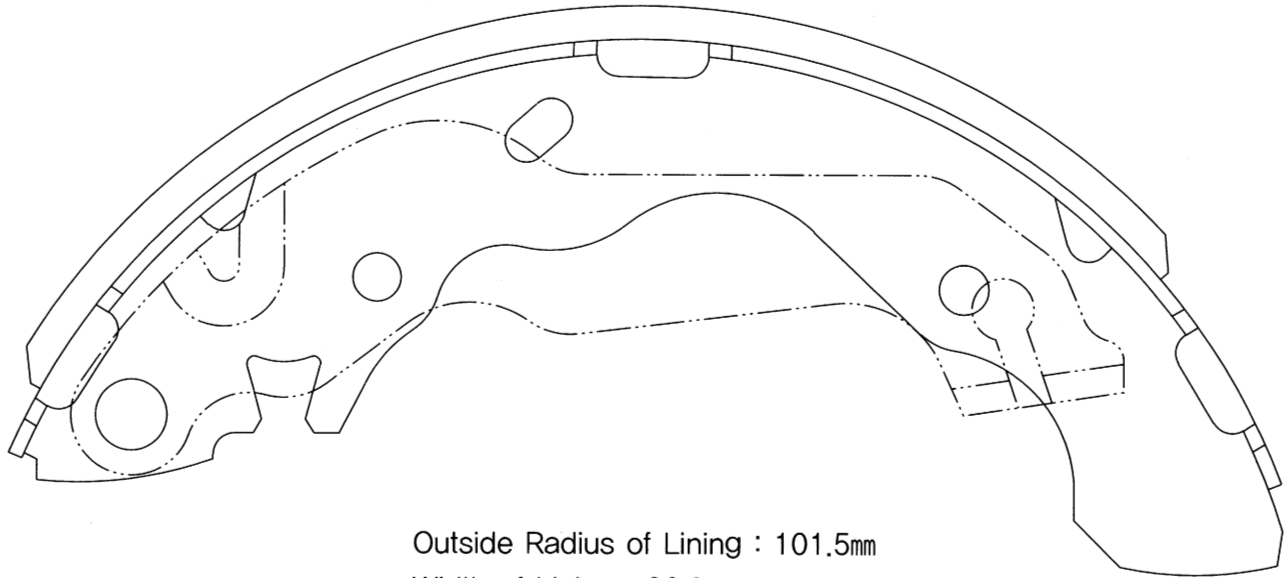
25	MAKER	DAEWOO	PO
SA 055 – OLD	MODEL	LEMANS(NP1338)	RR



26	MAKER	DAEWOO	PO
SA 059	MODEL	DAMAS, LABO	RR

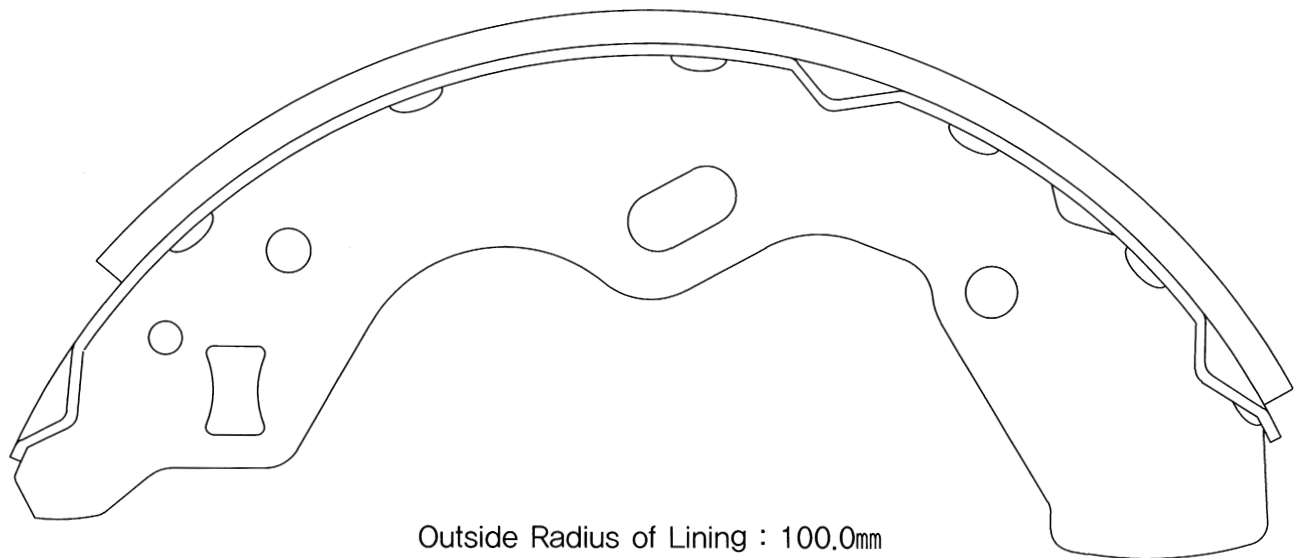


27	MAKER	HYUNDAI	PO
SA 062	MODEL	ELANTRA, AVANTE	RR



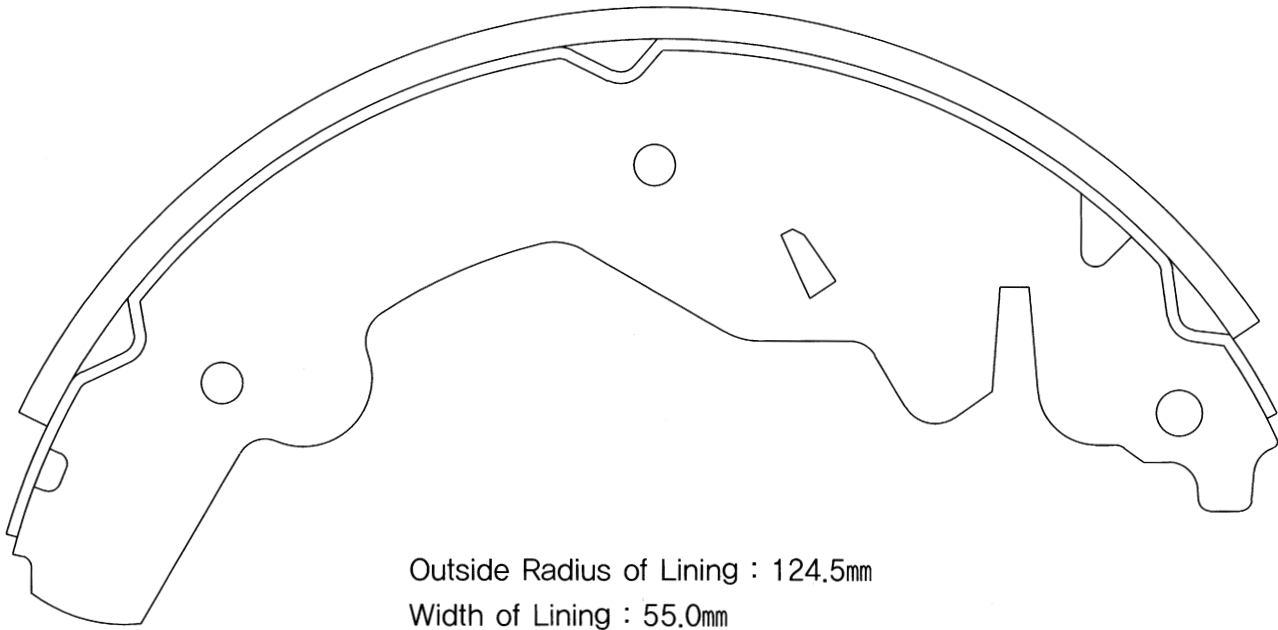
Outside Radius of Lining : 101.5mm
Width of Lining : 36.0mm

28	MAKER	KIA	PO
SA 067	MODEL	AVELLA(ASPIRE), RIO	RR

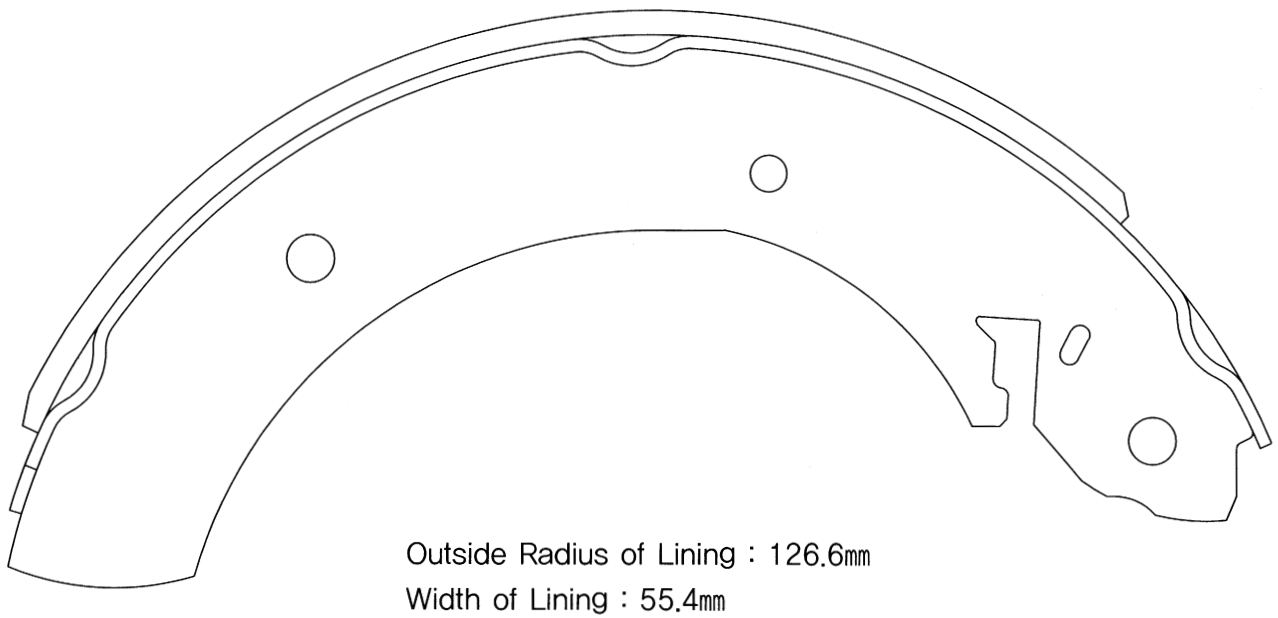


Outside Radius of Lining : 100.0mm
Width of Lining : 30.0mm

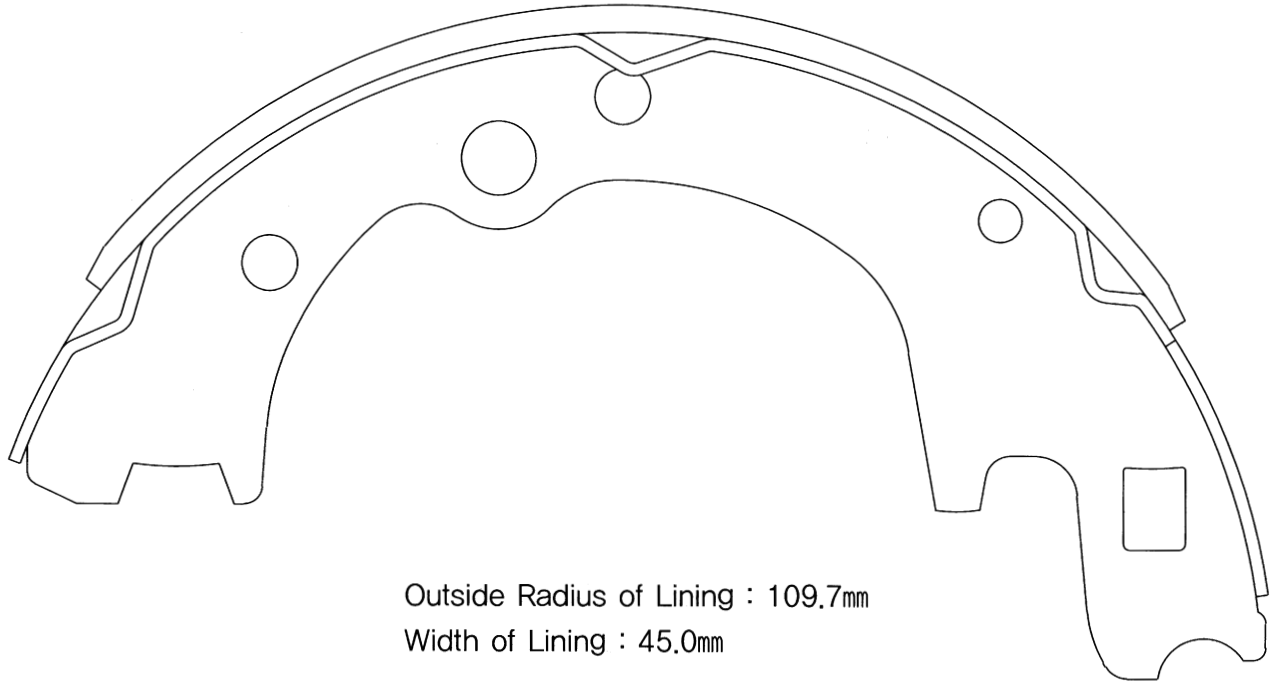
29	MAKER	KIA	PO
SA 070	MODEL	SPORTAGE	RR



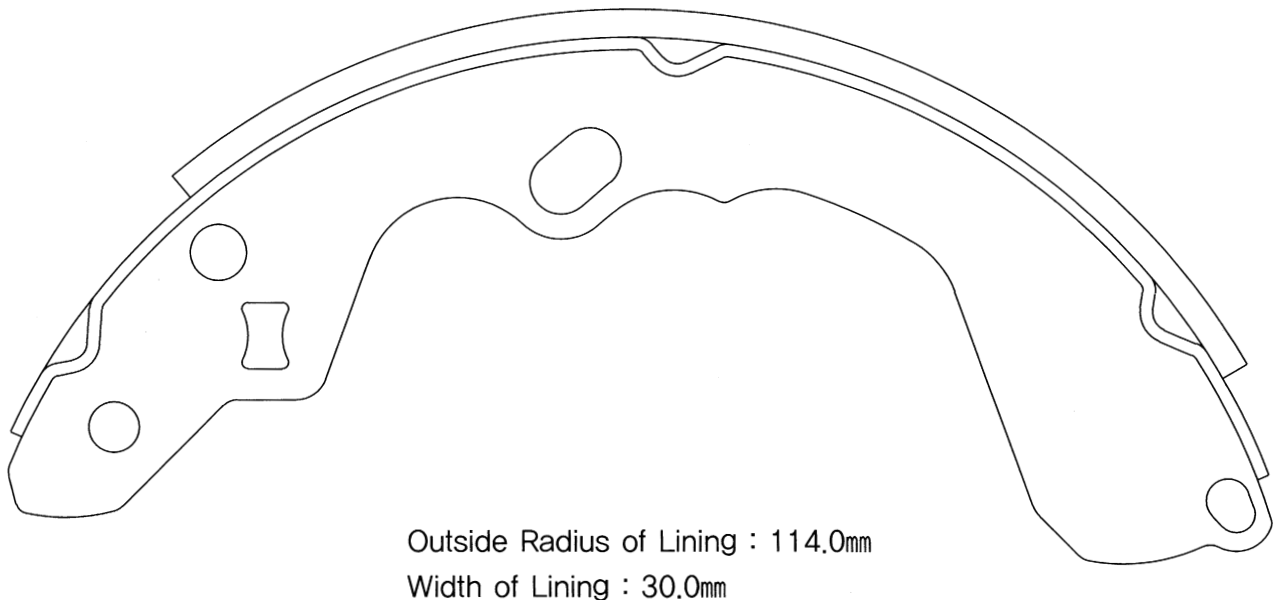
30	MAKER	HYUNDAI	SSANGYONG	PO
SA 072-GR	MODEL	GRACE(H-100 VAN TYPE), GALLOPER	ISTANA, MUSSO	RR



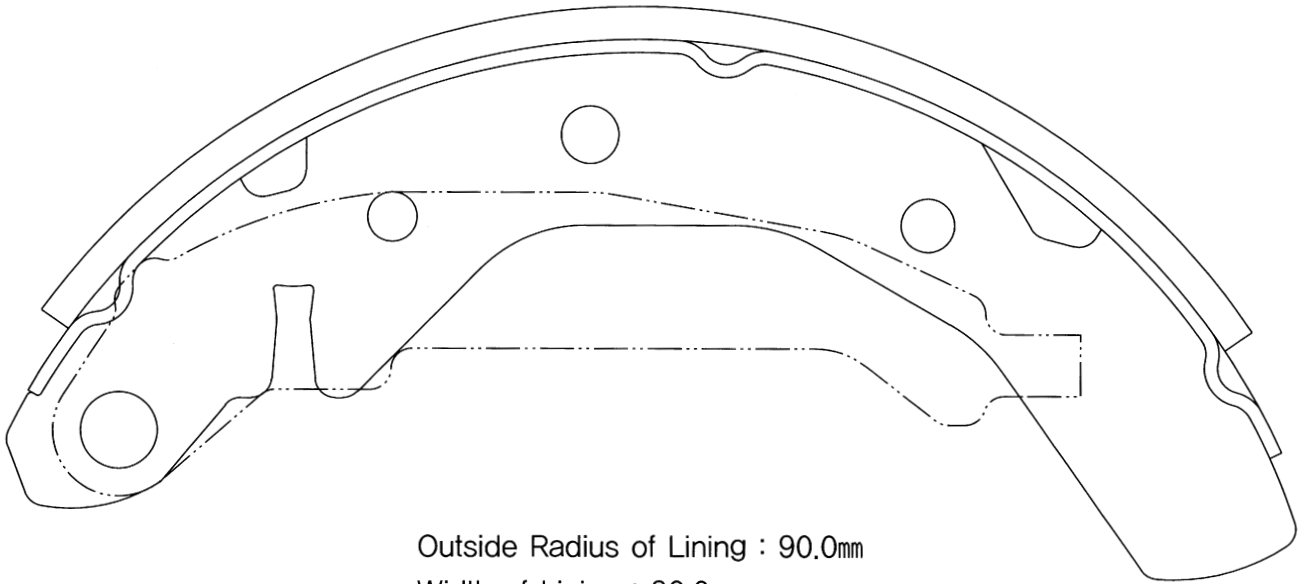
31	MAKER	HYUNDAI	PO
SA 072-PO	MODEL	PORTER(H-100 TRUCK TYPE)	RR



32	MAKER	KIA	PO
SA 079	MODEL	CREDOS(CLARUS), CARENS, SPECTRA	RR

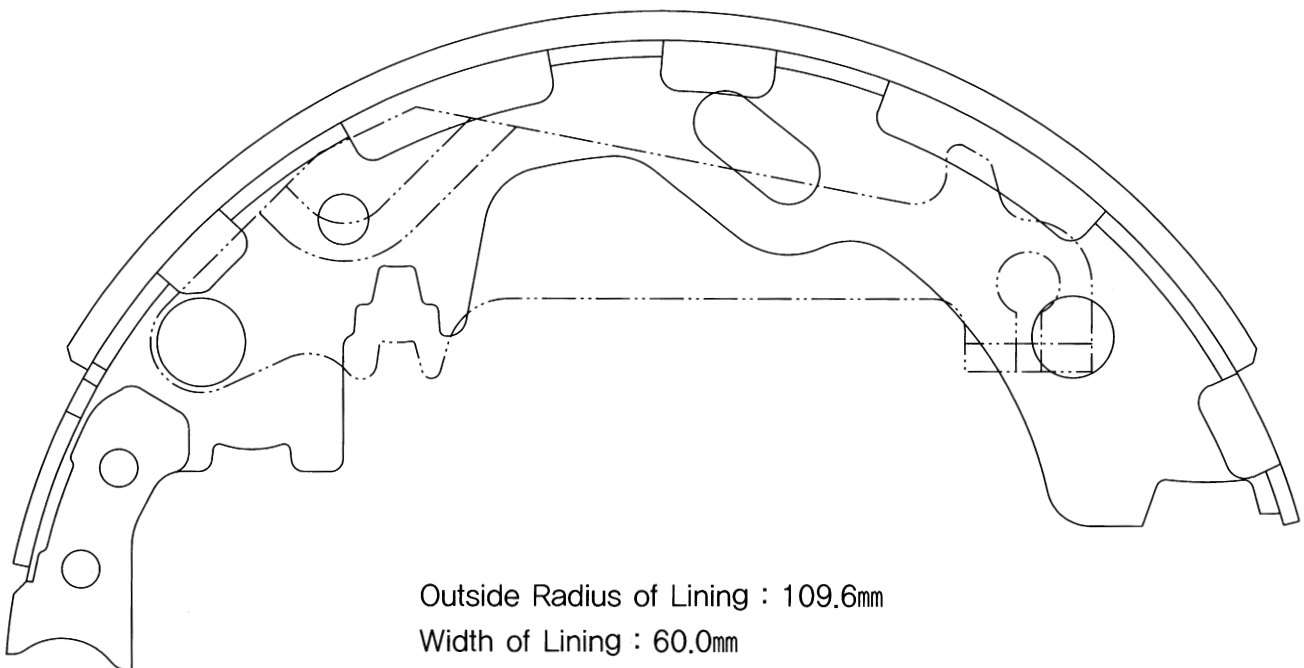


33	MAKER	DAEWOO	PO
SA 086	MODEL	MATIZ	RR



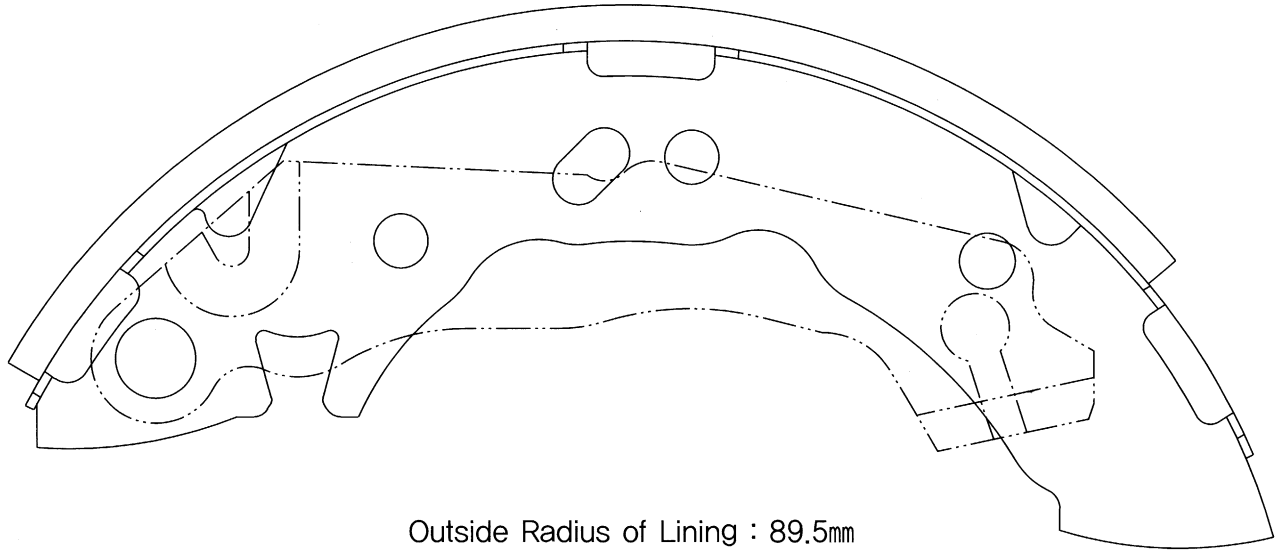
Outside Radius of Lining : 90.0mm
Width of Lining : 30.0mm

34	MAKER	SAMSUNG	PO
SA 095	MODEL	SV110(SM) 1 TON & 1.3 TON)	RR



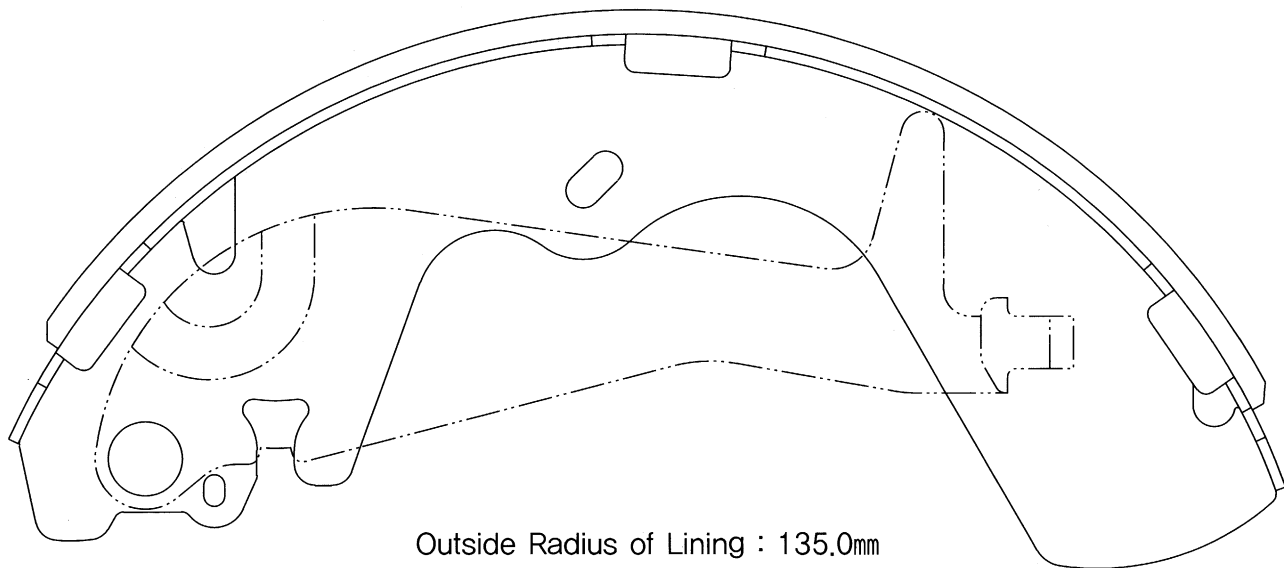
Outside Radius of Lining : 109.6mm
Width of Lining : 60.0mm

35	MAKER	HYUNDAI	KIA	PO
SA 096	MODEL	ATOZ	VISTO(SANTRO)	RR



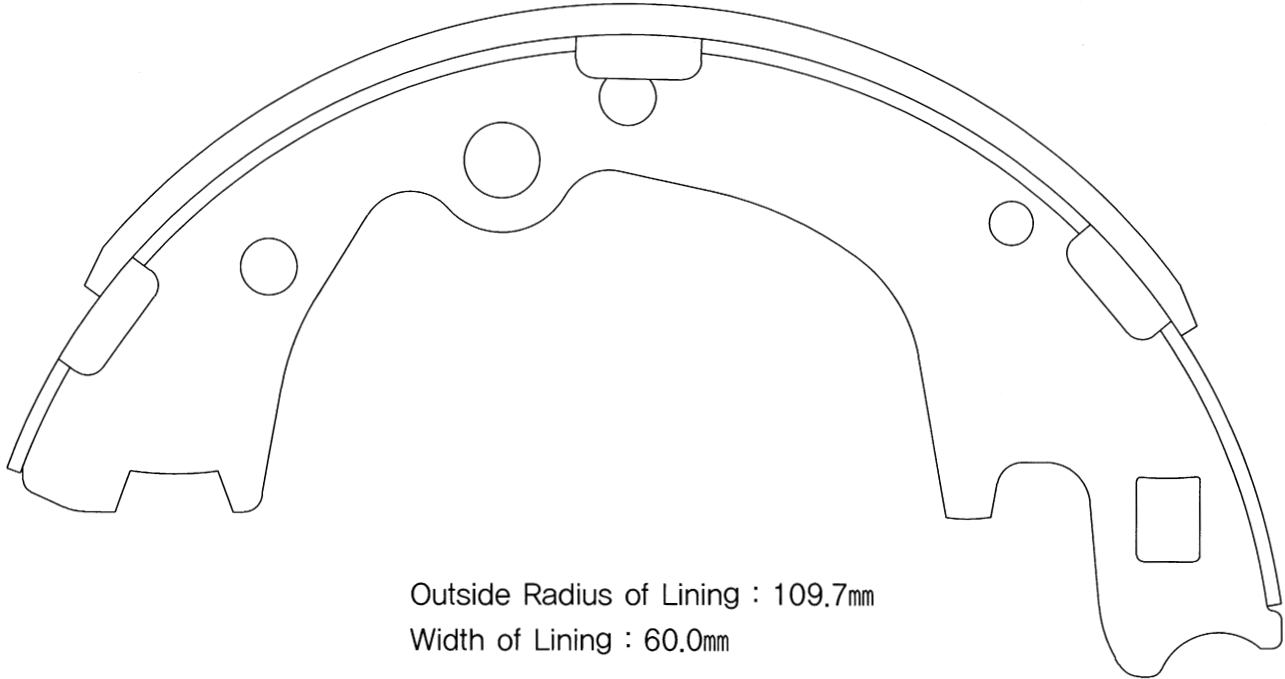
Outside Radius of Lining : 89.5mm
Width of Lining : 30.0mm

36	MAKER	HYUNDAI		PO
SA 099	MODEL	STAREX(H-1), GALLOPER II		RR

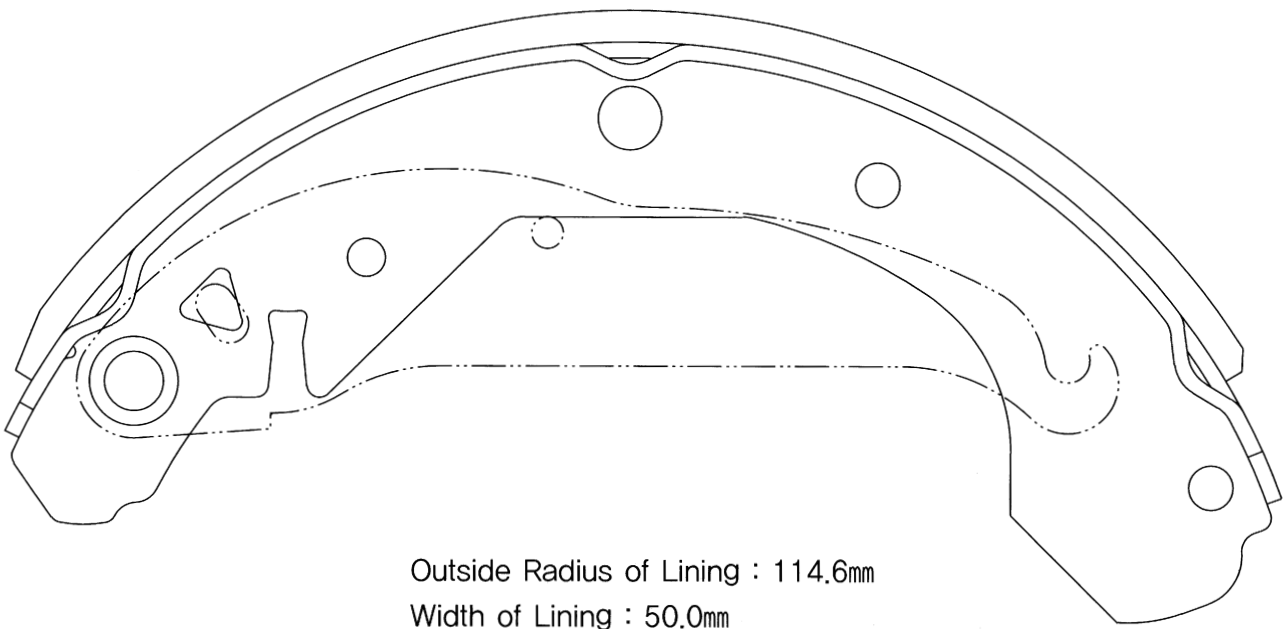


Outside Radius of Lining : 135.0mm
Width of Lining : 52.0mm

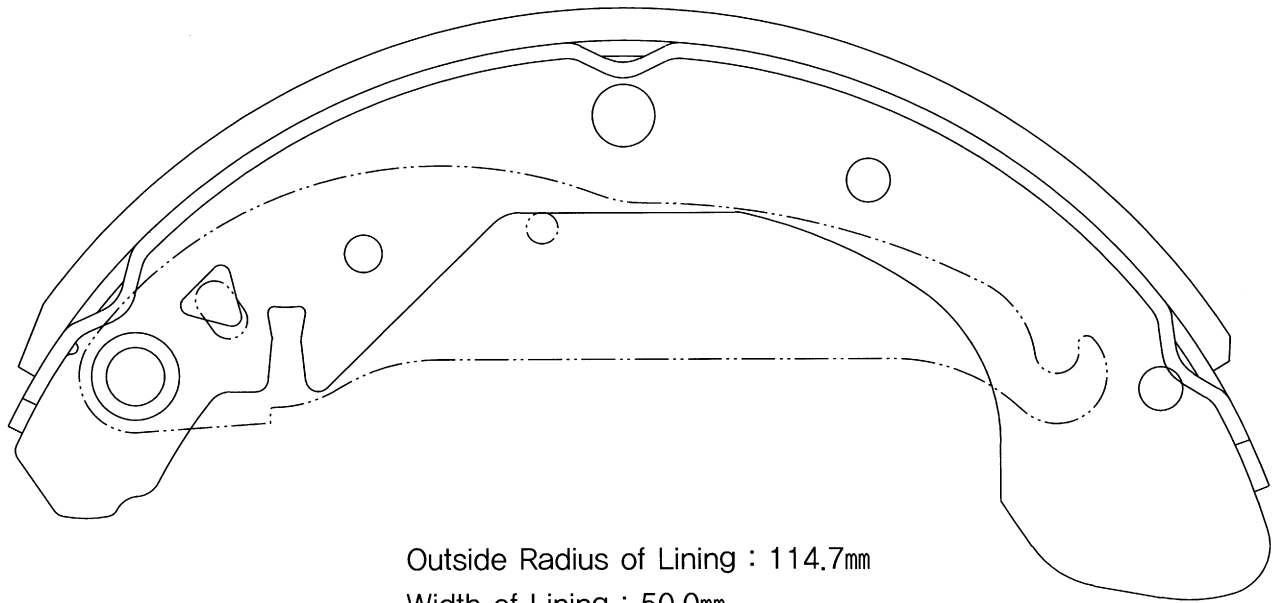
37	MAKER	HYUNDAI	PO
SA 100	MODEL	LIBERO	RR



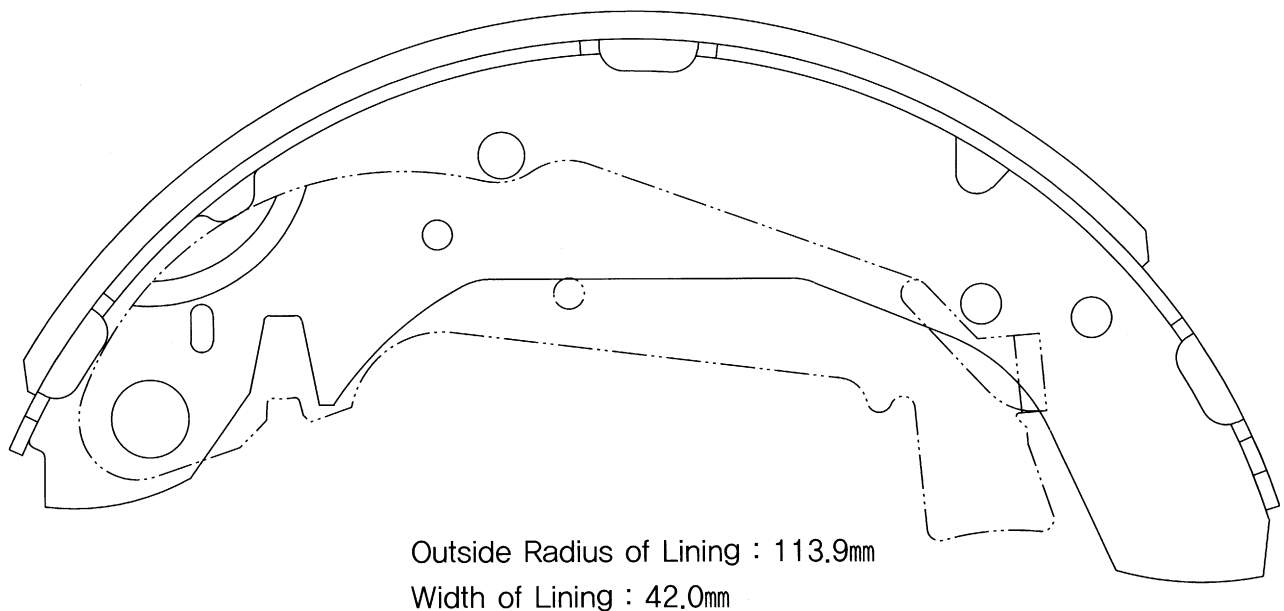
38	MAKER	DAEWOO	PO
SA 102	MODEL	LEGANZA	RR



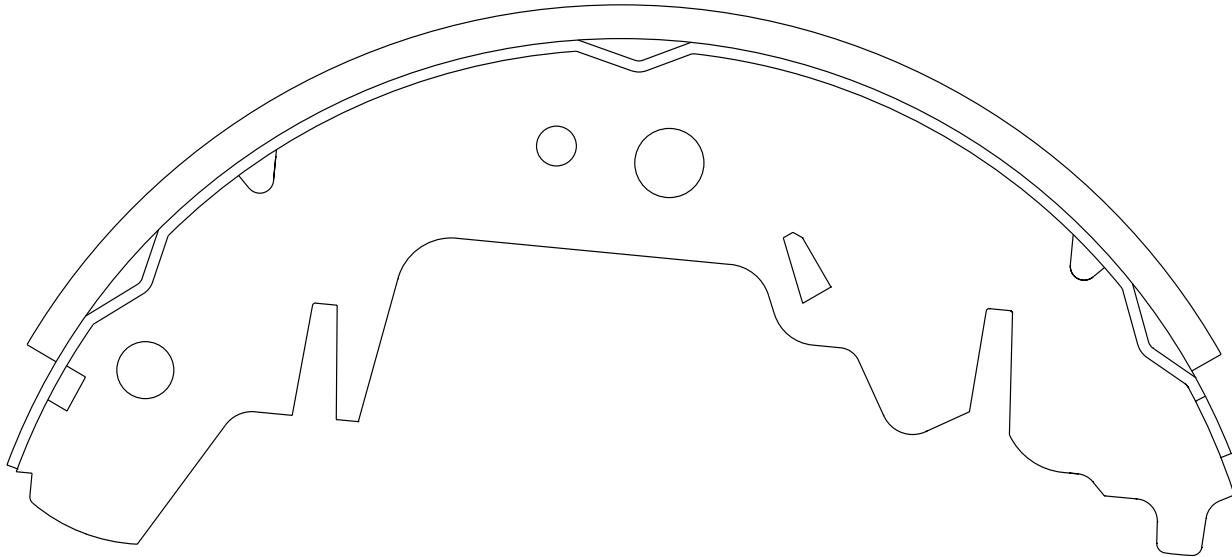
39	MAKER	DAEWOO	PO
SA 103	MODEL	REZZO(TACUMA)	RR



40	MAKER	HYUNDAI	KIA	PO
SA 111	MODEL	EF SONATA, LAVITA(MATRIX)	OPTIMA	RR

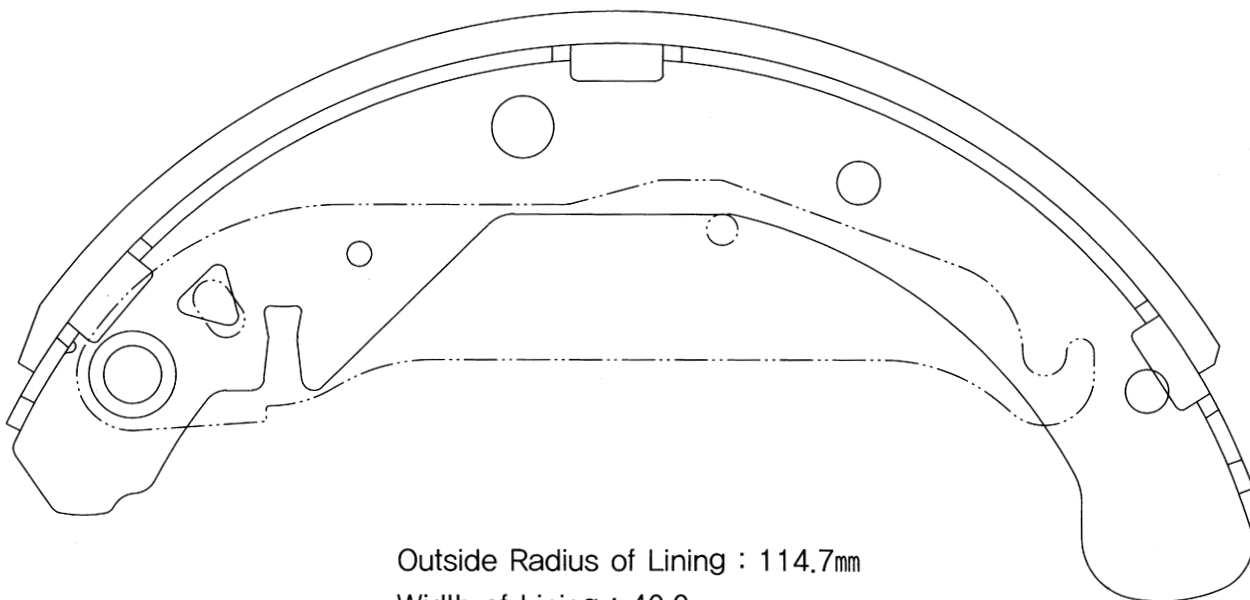


41	MAKER	KIA	PO
SA 112	MODEL	CARNIVAL	RR



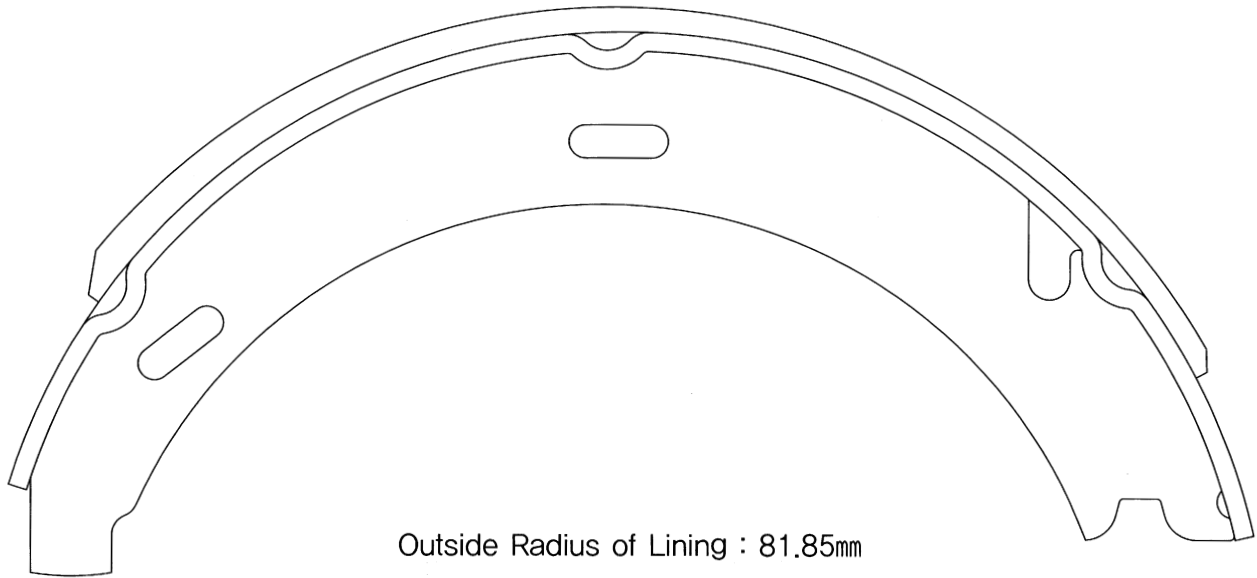
Outside Radius of Lining : 124.6 mm
Width of Lining : 55 mm

42	MAKER	DAEWOO	PO
SA 119	MODEL	MAGNUS	RR



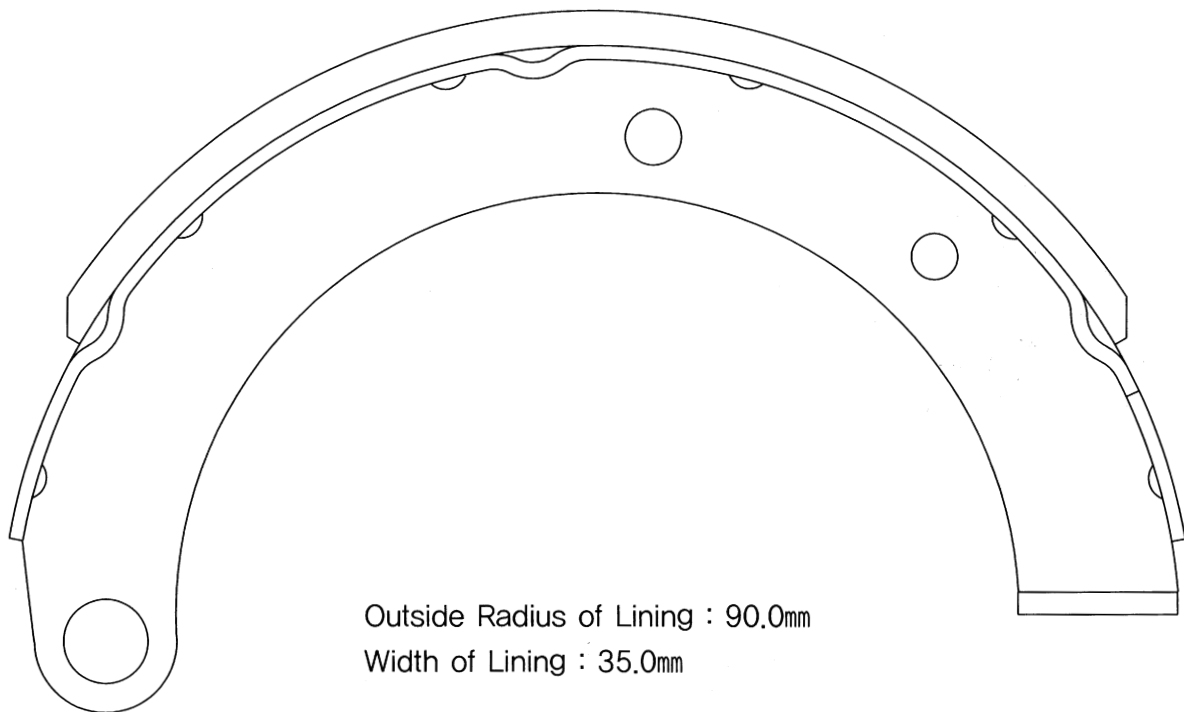
Outside Radius of Lining : 114.7mm
Width of Lining : 40.0mm

43	MAKER	SSANGYONG	PO
SA 120	MODEL	CHAIRMAN	PARK'G



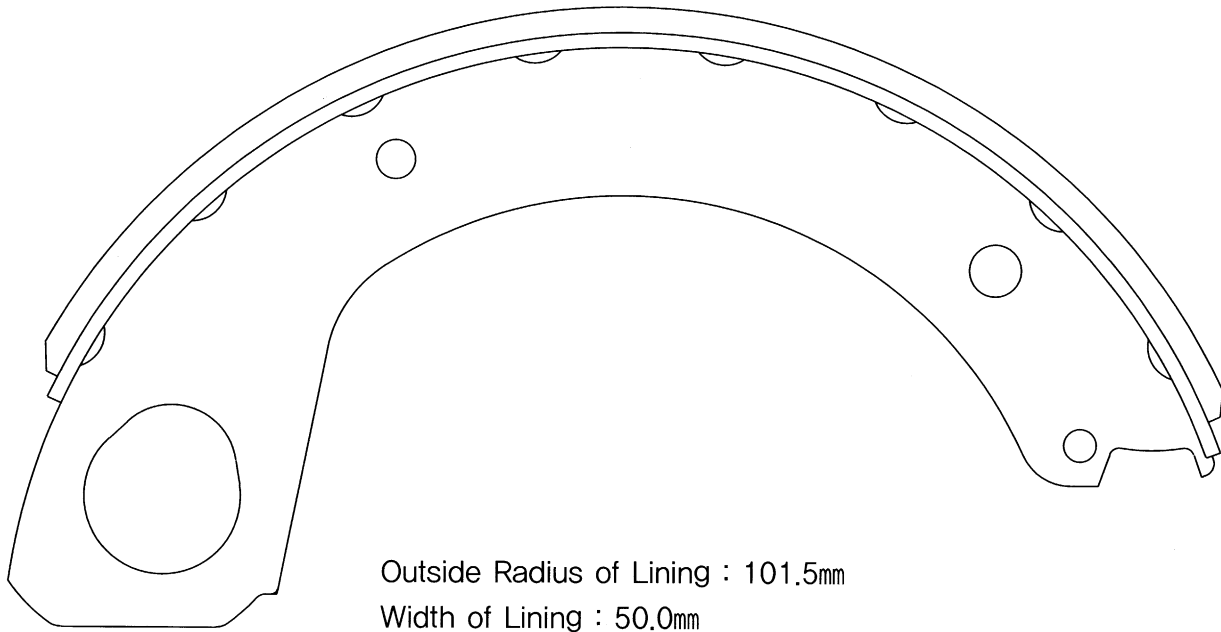
Outside Radius of Lining : 81.85mm
Width of Lining : 19.0mm

44	MAKER	HYUNDAI	PO
SA 121	MODEL	HD 2.5 TON	PARK'G

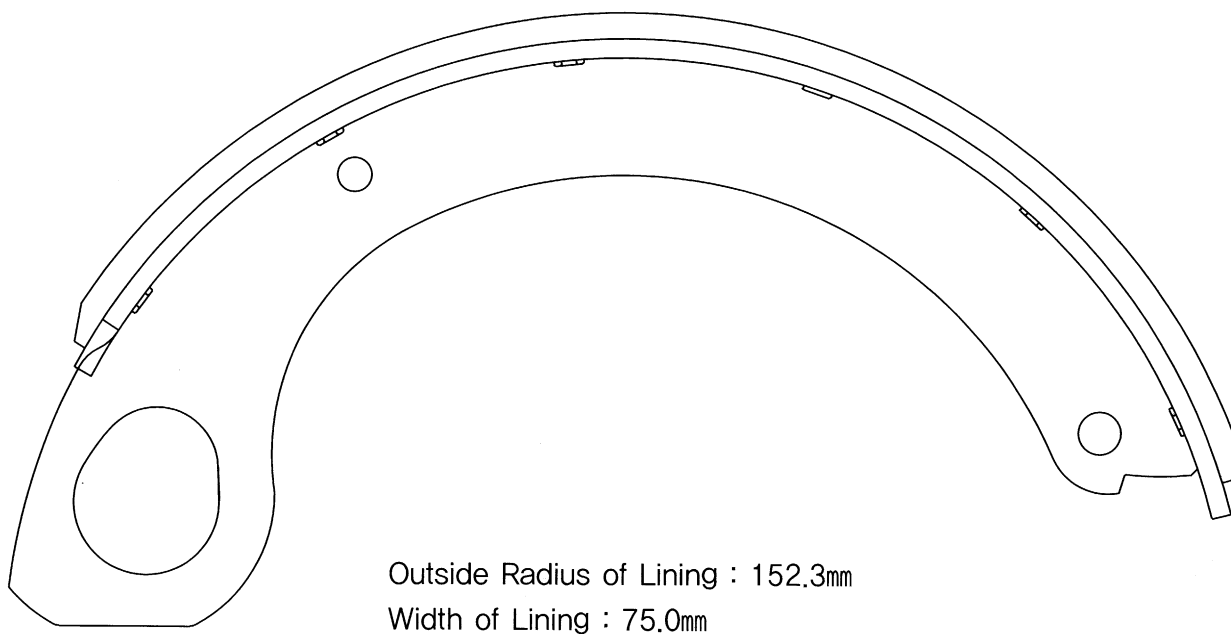


Outside Radius of Lining : 90.0mm
Width of Lining : 35.0mm

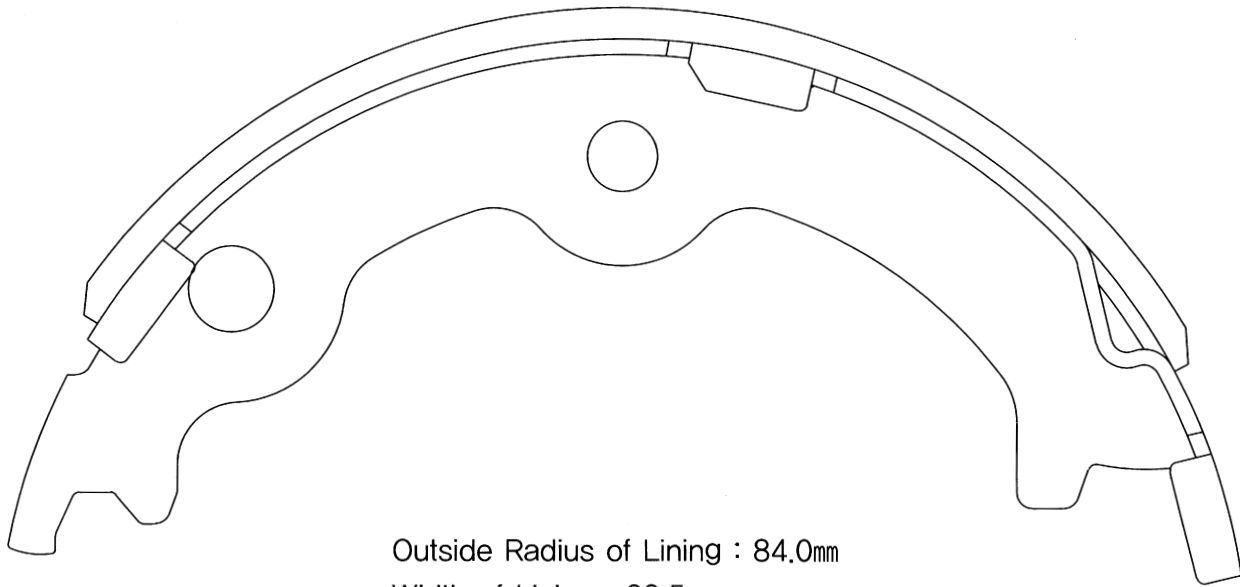
45	MAKER	<i>HYUNDAI</i>	PO
SA 122	MODEL	<i>HD 5.0 TON</i>	PARK'G



46	MAKER	<i>HYUNDAI</i>	PO
SA 123	MODEL	<i>HD 8.0 TON</i>	PARK'G

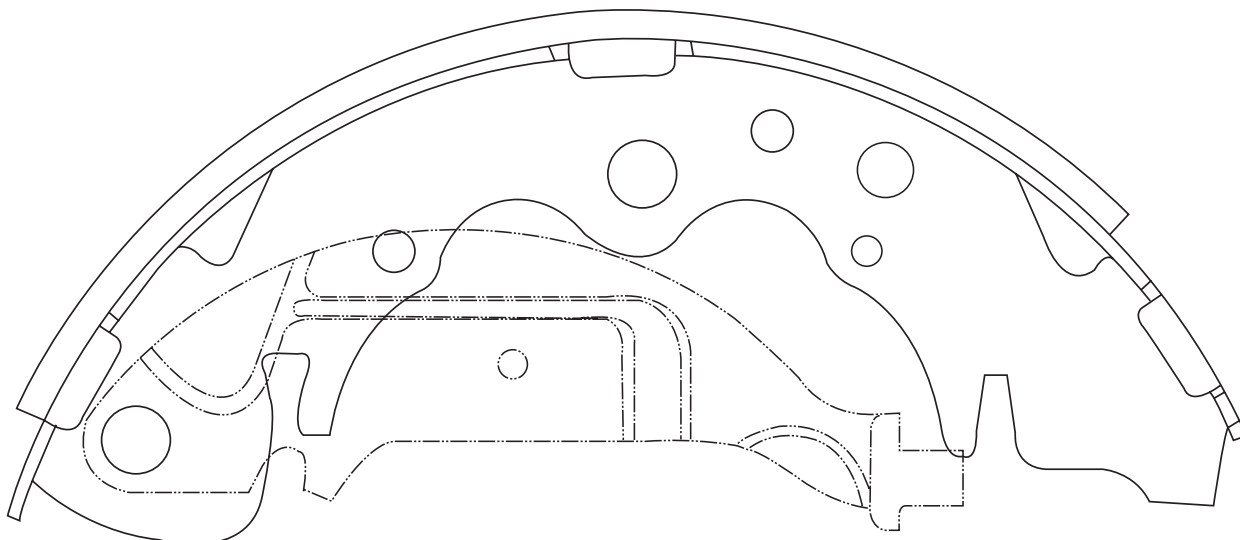


47	MAKER	DAEWOO	PO
SA 124	MODEL	MAGNUS	PARK'G



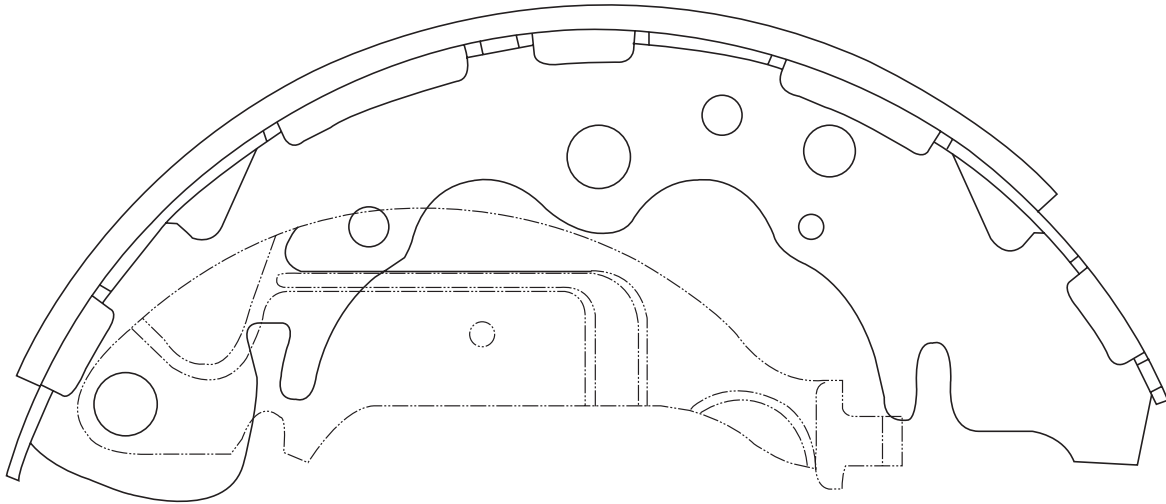
Outside Radius of Lining : 84.0mm
Width of Lining : 22.5mm

48	MAKER	KIA	PO
SA 125	MODEL	CARNIVAL II	RR



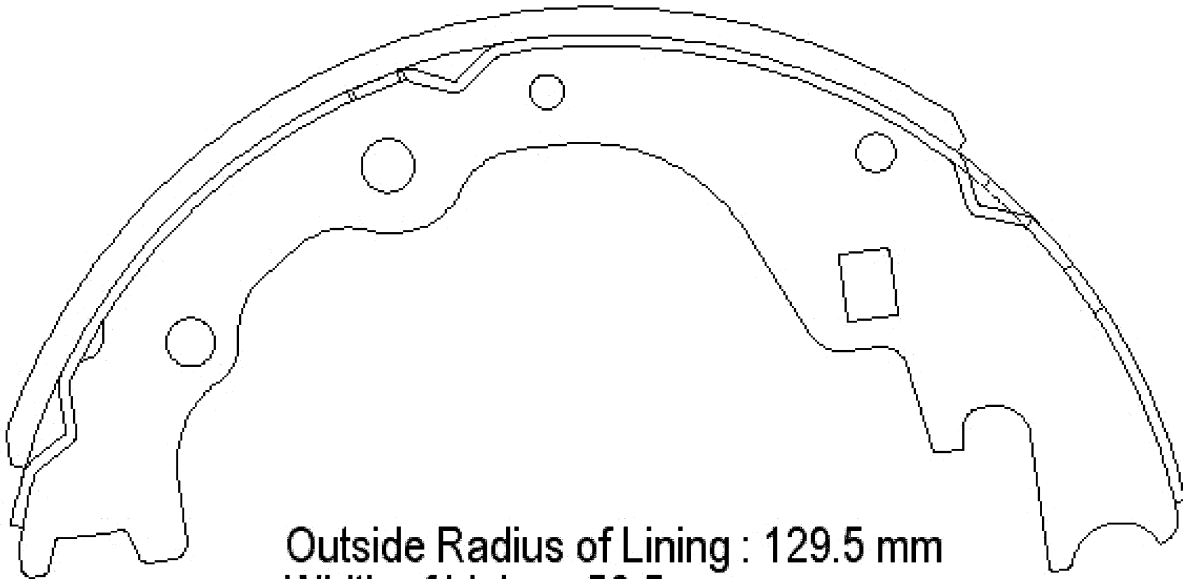
Outside Radius of Lining : 126.65 mm
Width of Lining : 55 mm

49	MAKER	<i>KIA</i>	PO
SA 126	MODEL	<i>CARNIVAL II (NEW)</i>	RR



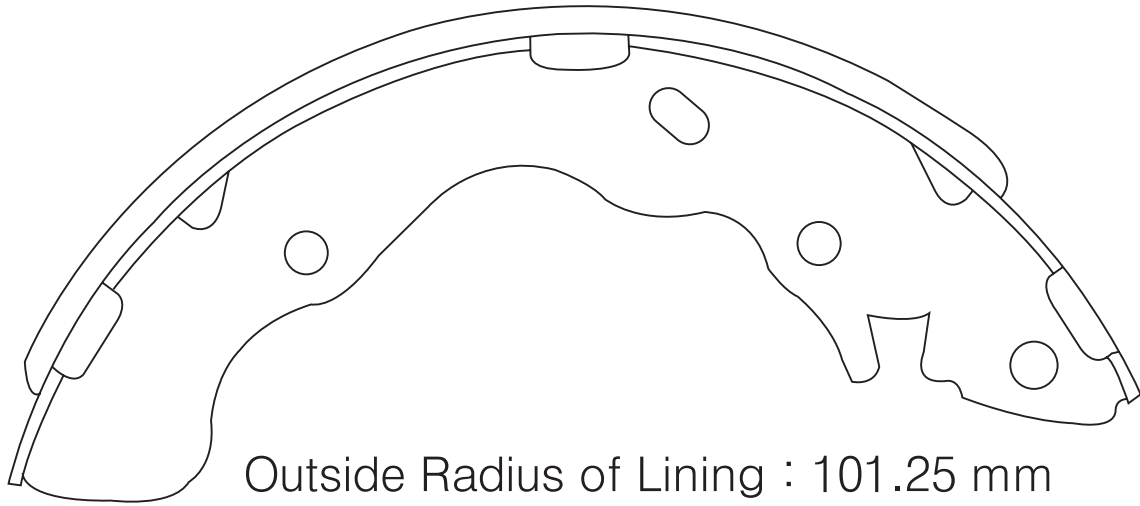
Outside Radius of Lining : 126.65 mm
Width of Lining : 55 mm

50	MAKER	<i>KIA</i>	PO
SA 127	MODEL	<i>PREGIO(NEW)</i>	RR



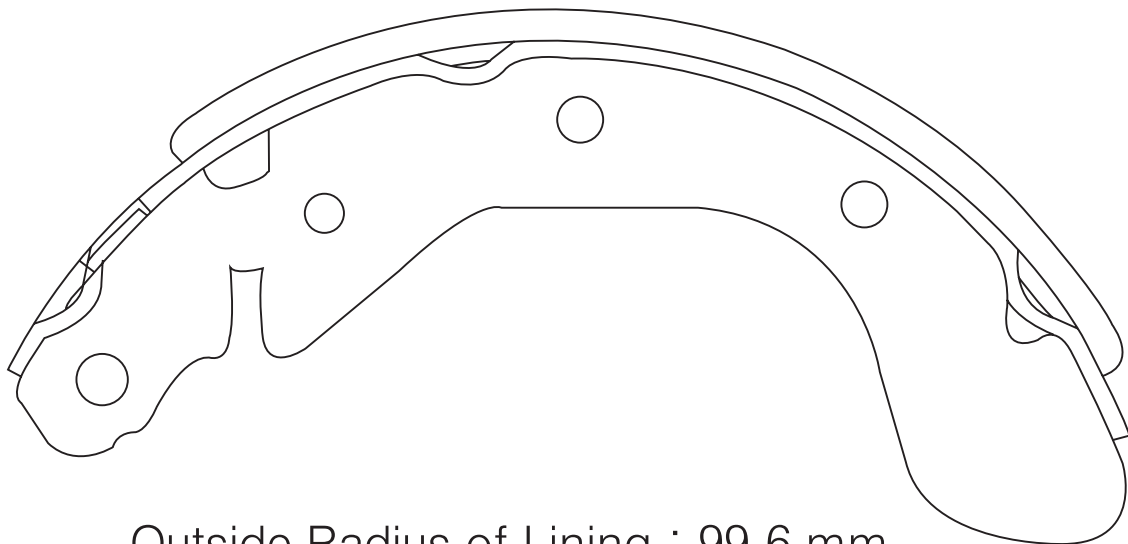
Outside Radius of Lining : 129.5 mm
Width of Lining : 59.5 mm

51	MAKER	<i>HYUNDAI</i>	PO
SA 128	MODEL	<i>VERNA(FACE-LIFT)</i>	RR



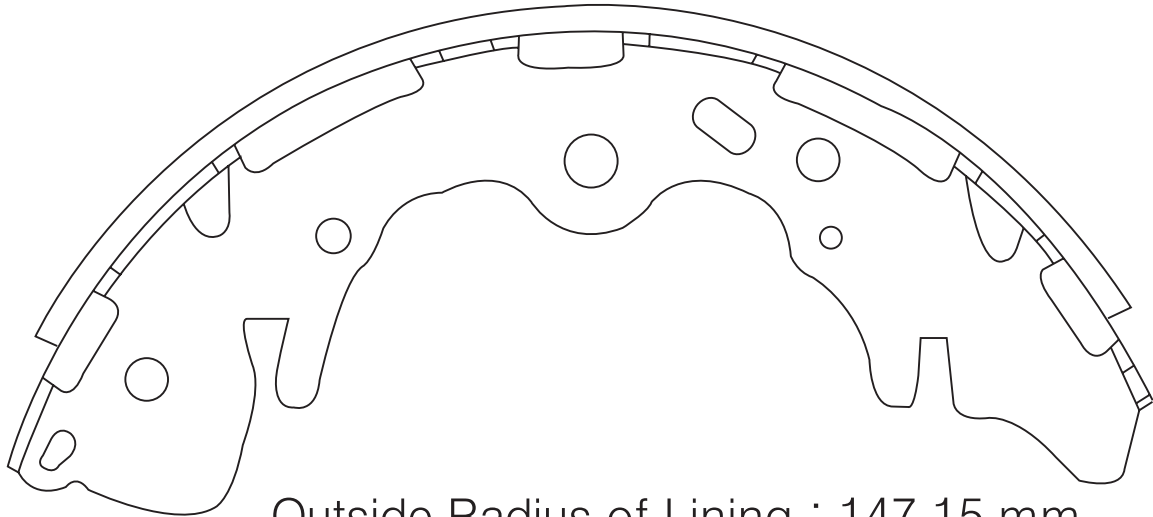
Outside Radius of Lining : 101.25 mm
Width of Lining : 36.3 mm

52	MAKER	<i>DAEWOO</i>	PO
SA 129	MODEL	<i>KALOS</i>	RR



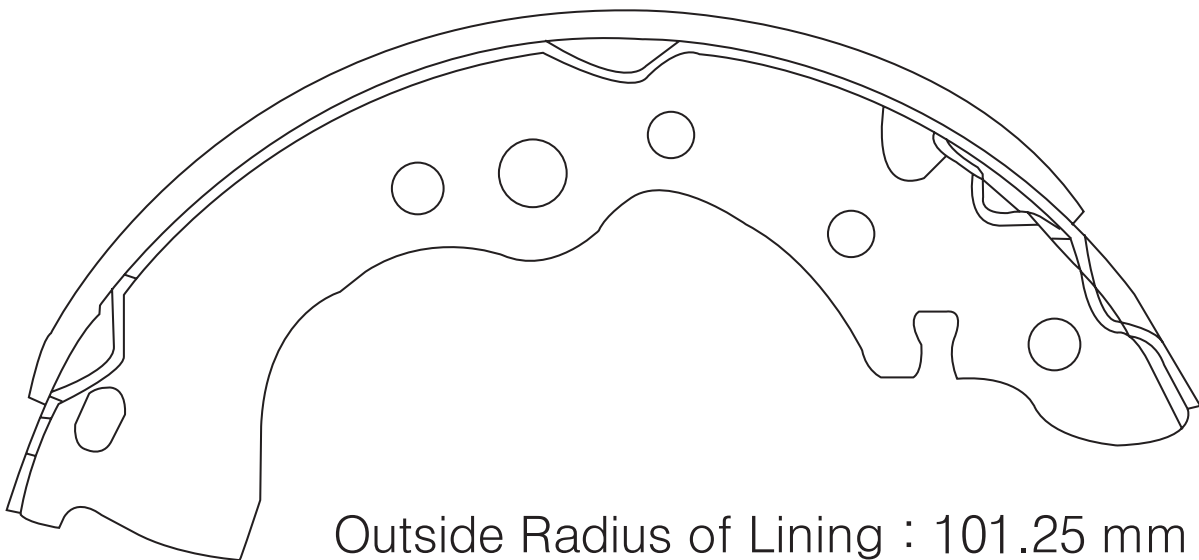
Outside Radius of Lining : 99.6 mm
Width of Lining : 35 mm

53	MAKER	<i>HYUNDAI</i>	PO
SA 130	MODEL	<i>STAREX 2003, 2004</i>	RR



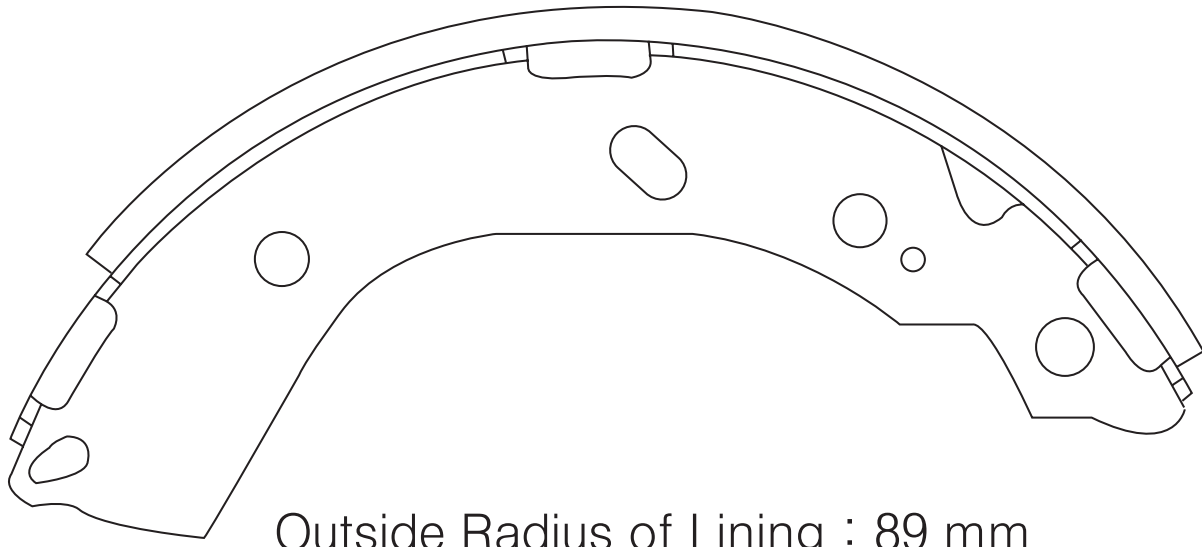
Outside Radius of Lining : 147.15 mm
Width of Lining : 52 mm

54	MAKER	<i>SAMSUNG</i>	PO
SA 131	MODEL	<i>SM3</i>	RR



Outside Radius of Lining : 101.25 mm
Width of Lining : 35 mm

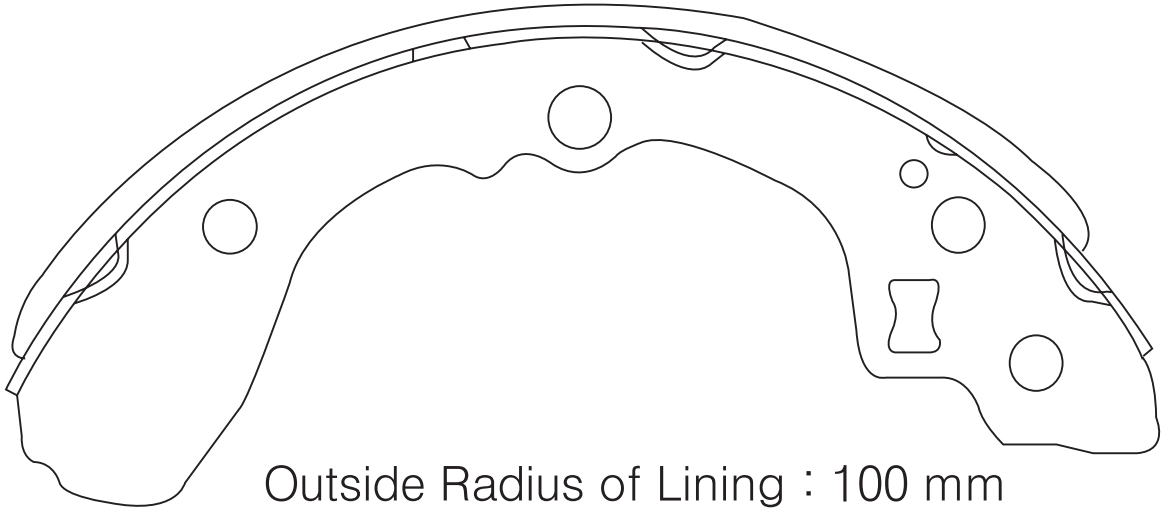
55	MAKER	<i>HYUNDAI</i>	PO
SA 132	MODEL	<i>TB(Click)-7"(Domestic)</i>	RR



Outside Radius of Lining : 89 mm
Width of Lining : 30 mm

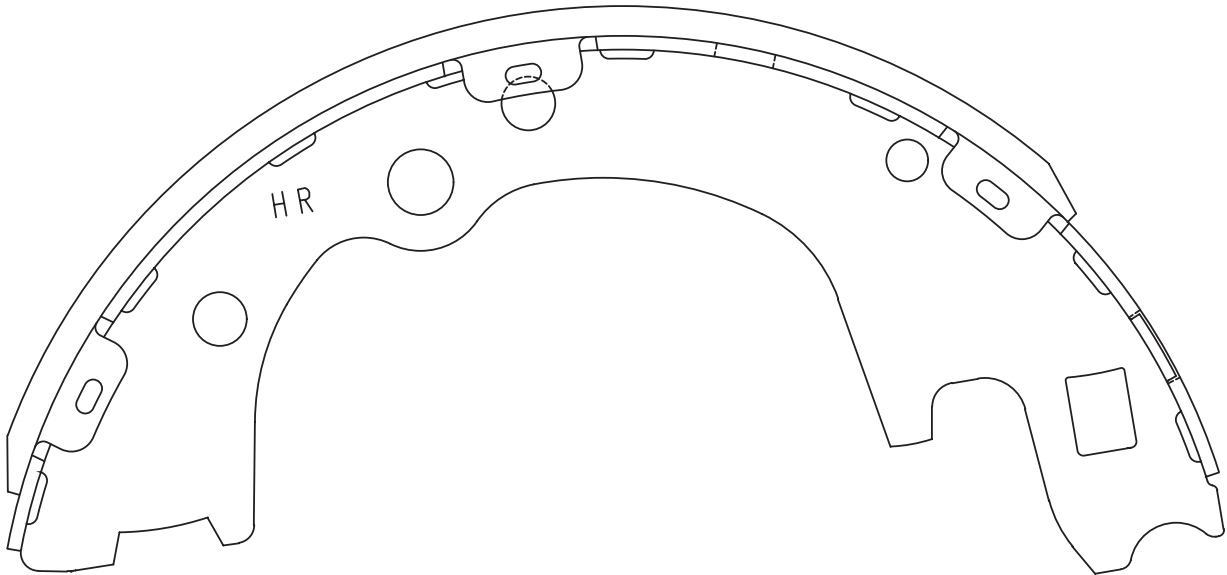
56	MAKER	<i>HYUNDAI</i>	PO
SA 133	MODEL	<i>TB(Click)-8"(Export)</i>	RR

57	MAKER	<i>KIA</i>	PO
SA 134	MODEL	<i>RIO(NEW)</i>	RR



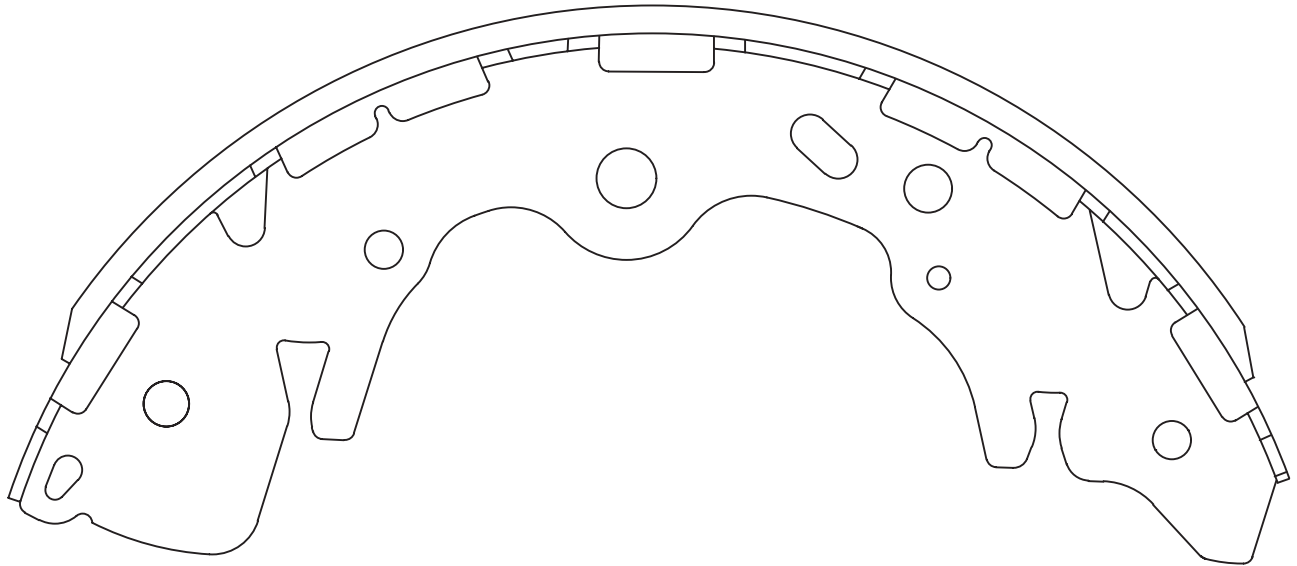
Outside Radius of Lining : 100 mm
Width of Lining : 30 mm

58	MAKER	<i>HYUNDAI, KIA</i>	PO
SA 135	MODEL	<i>PORTER II (LOW DECK), BONGO III</i>	RR



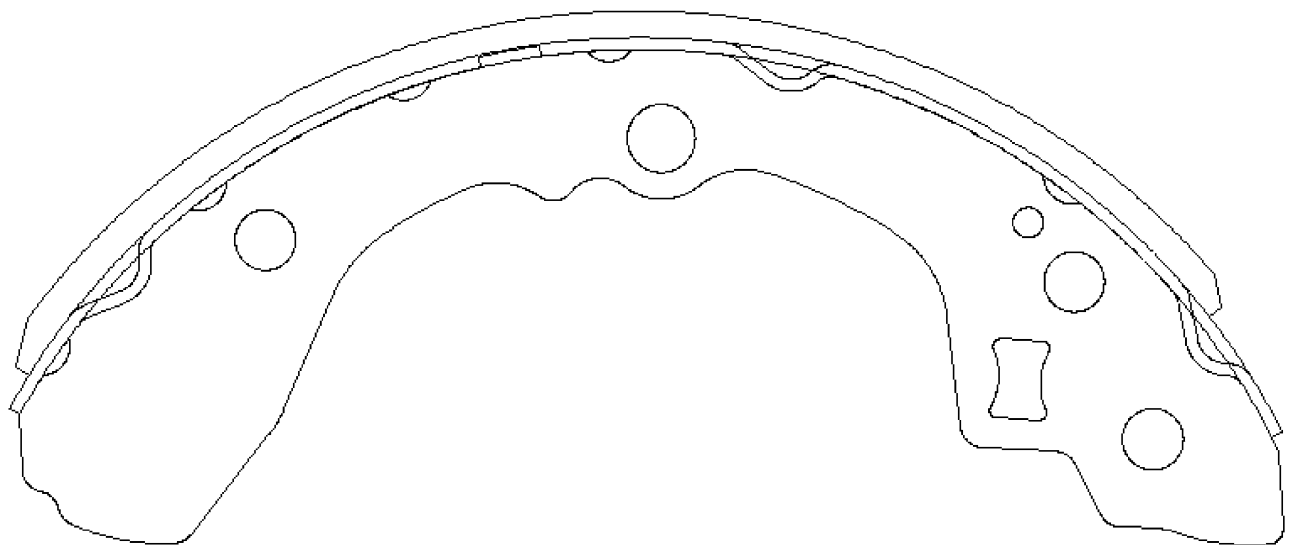
Outside Radius of Lining : 109.7 mm
Width of Lining : 55 mm

59	MAKER	KIA	PO
SA 136	MODEL	CANIVAL II 04MY	RR



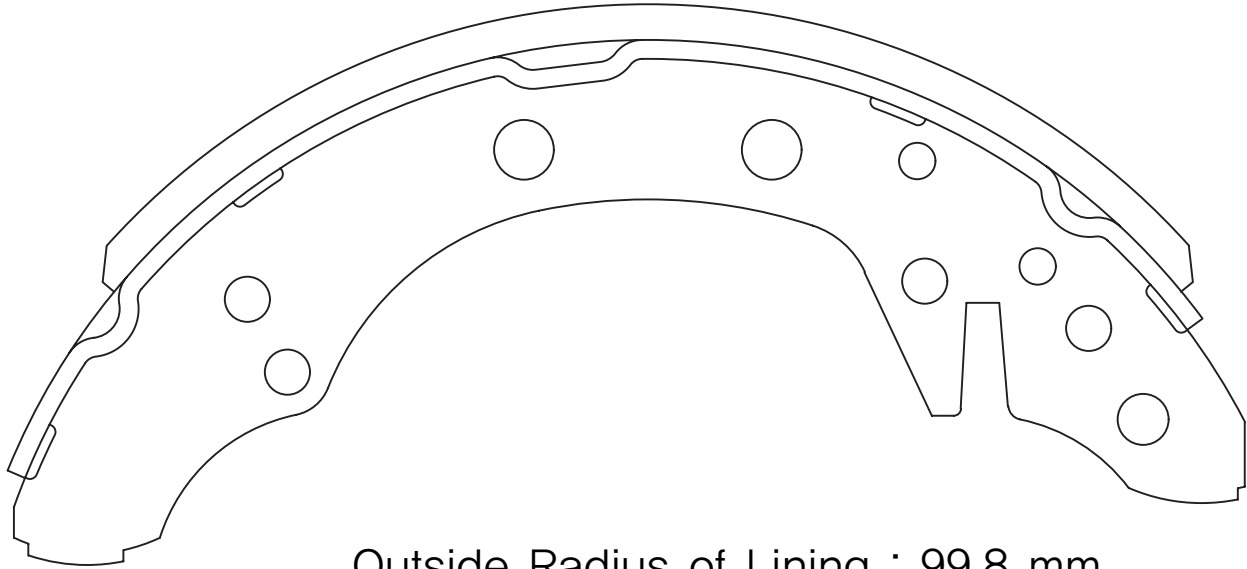
Outside Radius of Lining : 147.5 mm
Width of Lining : 52 mm

60	MAKER	KIA	PO
SA 137	MODEL	RIO(EXPORT ONLY)	RR



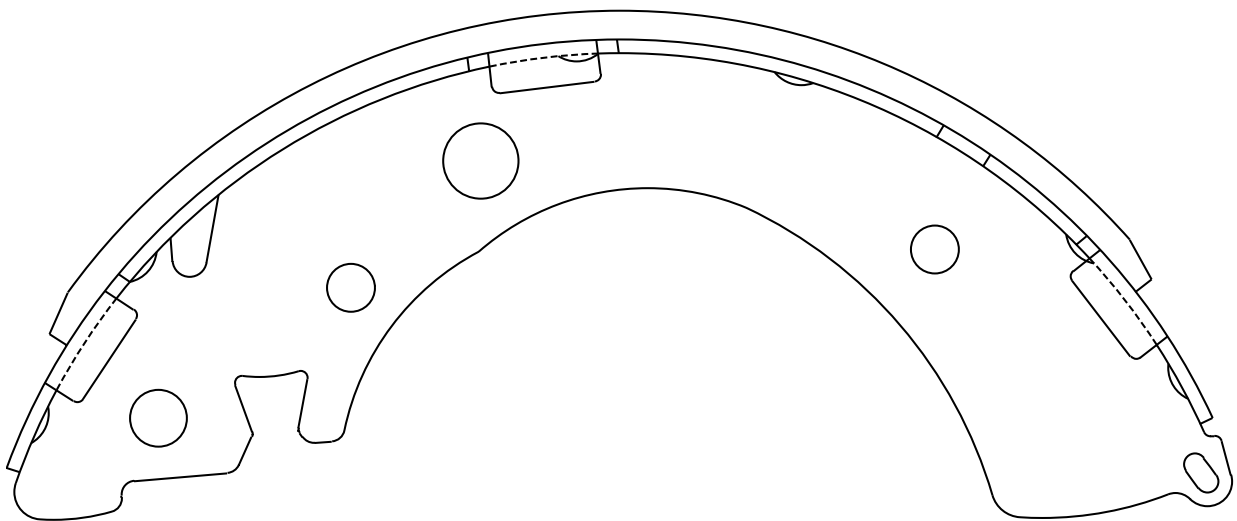
Outside Radius of Lining : 100 mm
Width of Lining : 25 mm

61	MAKER	VOLKSWAGEN	PO
SA 200	MODEL	SANTANA 2000	RR



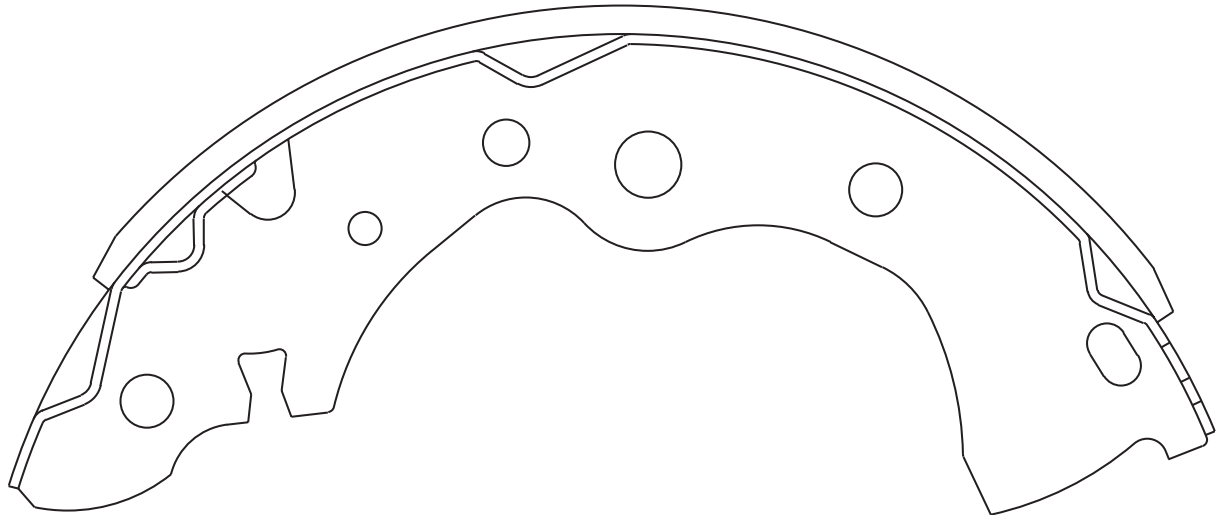
Outside Radius of Lining : 99.8 mm
Width of Lining : 39 mm

62	MAKER	HONDA	PO
SA 201	MODEL	HONDA FIT	RR



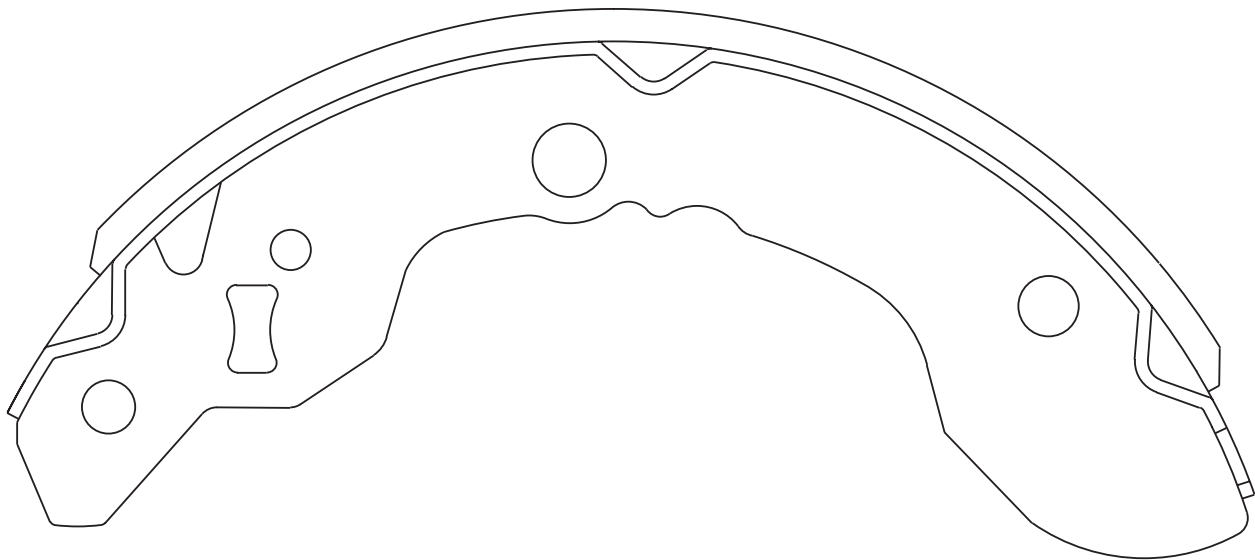
Outside Radius of Lining : 99.6 mm
Width of Lining : 34.5 mm

63	MAKER	<i>NISSAN</i>	PO
SA 202	MODEL	<i>NISSAN SUNNY</i>	RR



Outside Radius of Lining : 101.1 mm
Width of Lining : 34.5 mm

64	MAKER	<i>CHANGAN QICHE</i>	PO
SA 203	MODEL	<i>CHANG AN ZHI XING</i>	RR



Outside Radius of Lining : 109.7 mm
Width of Lining : 39 mm